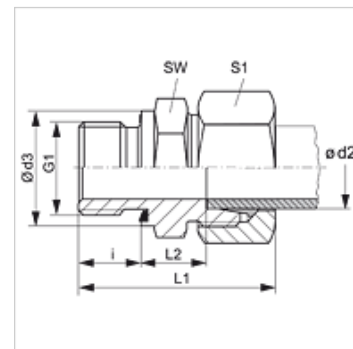


Karakteristike

| | |
|---------------------------|---|
| Priključak 1 | BSP vanjski navoj, cilindrični |
| Oblik brtve 1 | Profil E |
| Priključak 2 | metrički vanjski navoji, cilindrični |
| Oblik brtve 2 | 24° unutarnji konus |
| Izvedba | Uvrtni vijčani spoj |
| Oblik izrade | ravno |
| Norma | DIN 2353 ISO 8434-1 |
| Opseg isporuke | Nastavak s pretornom maticom i narezanim prstenom |
| Materijal | Čelik |
| Površinska zaštita | galvanski premaz |



Napomena

Upute za montažu, ugradnju, tlačno opterećenje i dopuštene radne temperature pronaći ćete u tehničkim informacijama za vijčane spojeve cijevi.

Artikli

| Naziv | Seriya | Radni tlak bari | Ø d2 (mm) | G1 | Ø d3 (mm) | i (mm) | L1 (mm) | L2 (mm) | SW (mm) | S1 |
|----------------------|--------|-----------------|-----------|---------------|-----------|--------|---------|---------|---------|----|
| VR 04 LL ED | LL | PN 100 | 4 | G 1/8" - 28 | 14,0 | 8 | 28,0 | 9,5 | 14 | 10 |
| VR 06 LL ED | LL | PN 100 | 6 | G 1/8" - 28 | 14,0 | 8 | 28,0 | 8,0 | 14 | 12 |
| VR NW 04 HL ED | L | PN 315 | 6 | G 1/8" - 28 | 14,0 | 8 | 31,0 | 8,5 | 14 | 14 |
| VR NW 04 HL 1/4 ED | L | PN 315 | 6 | G 1/4" - 19 | 18,7 | 12 | 39,0 | 10,0 | 19 | 14 |
| VR NW 04 HL 1/2 ED | L | PN 315 | 6 | G 1/2" - 14 | 27,0 | 14 | 43,0 | 12,0 | 27 | 14 |
| VR NW 04 HL 3/8 ED | L | PN 315 | 6 | G 3/8" - 19 | 22,0 | 12 | 39,0 | 11,5 | 22 | 14 |
| VR NW 06 HL 1/8 ED | L | PN 315 | 8 | G 1/8" - 28 | 14,0 | 8 | 34,0 | 9,5 | 14 | 17 |
| VR NW 06 HL ED | L | PN 315 | 8 | G 1/4" - 19 | 18,7 | 12 | 37,0 | 10,0 | 19 | 17 |
| VR NW 06 HL 3/8 ED | L | PN 315 | 8 | G 3/8" - 19 | 22,0 | 12 | 40,5 | 11,5 | 22 | 17 |
| VR NW 06 HL 1/2 ED | L | PN 315 | 8 | G 1/2" - 14 | 27,0 | 14 | 42,5 | 12,0 | 27 | 14 |
| VR NW 08 HL 1/8 ED | L | PN 315 | 10 | G 1/8" - 28 | 14,0 | 8 | 35,5 | 10,5 | 17 | 19 |
| VR NW 08 HL ED | L | PN 315 | 10 | G 1/4" - 19 | 18,7 | 12 | 38,0 | 11,0 | 19 | 19 |
| VR NW 08 HL 3/8 ED | L | PN 315 | 10 | G 3/8" - 19 | 22,0 | 12 | 42,5 | 12,5 | 22 | 19 |
| VR NW 08 HL 1/2 ED | L | PN 315 | 10 | G 1/2" - 14 | 26,7 | 14 | 46,5 | 13,0 | 27 | 19 |
| VR NW 10 HL 1/4 ED | L | PN 315 | 12 | G 1/4" - 19 | 18,7 | 12 | 42,0 | 12,5 | 22 | 22 |
| VR NW 10 HL ED | L | PN 315 | 12 | G 3/8" - 19 | 22,0 | 12 | 39,0 | 12,5 | 22 | 22 |
| VR NW 10 HL 1/2 ED | L | PN 315 | 12 | G 1/2" - 14 | 26,7 | 14 | 45,0 | 13,0 | 27 | 22 |
| VR NW 10 HL 3/4 ED | L | PN 160 | 12 | G 3/4" - 14 | 32,0 | 16 | 47,0 | 14,0 | 32 | 22 |
| VR NW 13 HL 3/8 ED | L | PN 315 | 15 | G 3/8" - 19 | 22,0 | 12 | 43,0 | 13,6 | 27 | 27 |
| VR NW 13 HL ED | L | PN 315 | 15 | G 1/2" - 14 | 26,7 | 14 | 43,0 | 14,0 | 27 | 27 |
| VR NW 13 HL 3/4 ED | L | PN 315 | 15 | G 3/4" - 14 | 32,0 | 16 | 48,5 | 15,0 | 32 | 27 |
| VR NW 16 HL 3/8 ED | L | PN 315 | 18 | G 3/8" - 19 | 22,0 | 12 | 45,0 | 14,0 | 27 | 32 |
| VR NW 16 HL ED | L | PN 315 | 18 | G 1/2" - 14 | 26,7 | 14 | 45,0 | 14,5 | 27 | 32 |
| VR NW 16 HL 3/4 ED | L | PN 315 | 18 | G 3/4" - 14 | 32,0 | 16 | 50,0 | 14,5 | 32 | 32 |
| VR NW 20 HL 1/2 ED | L | PN 315 | 22 | G 1/2" - 14 | 27,0 | 14 | 51,0 | 16,5 | 32 | 36 |
| VR NW 20 HL ED | L | PN 160 | 22 | G 3/4" - 14 | 32,0 | 16 | 49,0 | 16,5 | 32 | 36 |
| VR NW 20 HL 1 ED | L | PN 160 | 22 | G 1" - 11 | 40,0 | 18 | 56,0 | 17,5 | 41 | 36 |
| VR NW 25 HL 3/4 ED | L | PN 160 | 28 | G 3/4" - 14 | 32,0 | 16 | 54,0 | 17,5 | 41 | 41 |
| VR NW 25 HL ED | L | PN 160 | 28 | G 1" - 11 | 39,7 | 18 | 52,0 | 17,5 | 41 | 41 |
| VR NW 25 HL 1 1/4 ED | L | PN 160 | 28 | G 1,1/4" - 11 | 60,0 | 20 | 55,0 | 18,5 | 50 | 41 |
| VR NW 32 HL 1 ED | L | PN 160 | 35 | G 1" - 11 | 40,0 | 18 | 60,0 | 17,5 | 46 | 50 |
| VR NW 32 HL ED | L | PN 160 | 35 | G 1,1/4" - 11 | 49,7 | 20 | 59,0 | 17,5 | 50 | 50 |
| VR NW 40 HL 1 1/4 ED | L | PN 160 | 42 | G 1,1/4" - 11 | 50,0 | 20 | 67,0 | 19,0 | 55 | 60 |
| VR NW 40 HL ED | L | PN 160 | 42 | G 1,1/2" - 11 | 55,0 | 22 | 69,0 | 19,0 | 55 | 60 |
| VR NW 03 HS ED | S | PN 630 | 6 | G 1/4" - 19 | 18,7 | 12 | 40,0 | 13,0 | 19 | 17 |
| VR NW 03 HS 1/2 ED | S | PN 630 | 6 | G 1/2" - 14 | 27,0 | 14 | 48,0 | 18,0 | 27 | 17 |
| VR NW 04 HS ED | S | PN 630 | 8 | G 1/4" - 19 | 18,7 | 12 | 42,0 | 15,0 | 19 | 19 |
| VR NW 04 HS 3/8 ED | S | PN 630 | 8 | G 3/8" - 19 | 22,0 | 12 | 42,5 | 15,5 | 22 | 19 |
| VR NW 06 HS 1/4 ED | S | PN 630 | 10 | G 1/4" - 19 | 18,7 | 12 | 42,5 | 14,5 | 22 | 22 |
| VR NW 06 HS ED | S | PN 630 | 10 | G 3/8" - 19 | 22,0 | 12 | 43,0 | 15,0 | 22 | 22 |
| VR NW 06 HS 1/2 ED | S | PN 630 | 10 | G 1/2" - 14 | 26,7 | 14 | 47,0 | 17,5 | 27 | 22 |



| Artikli | | | | | | | | | | |
|----------------------|--------|-----------------|-----------|---------------|-----------|--------|---------|---------|---------|----|
| Naziv | Seriya | Radni tlak bari | Ø d2 (mm) | G1 | Ø d3 (mm) | i (mm) | L1 (mm) | L2 (mm) | SW (mm) | S1 |
| VR NW 08 HS 1/4 ED | S | PN 630 | 12 | G 1/4" - 19 | 19,0 | 12 | 45,0 | 16,5 | 22 | 24 |
| VR NW 08 HS ED | S | PN 630 | 12 | G 3/8" - 19 | 22,0 | 12 | 45,0 | 17,0 | 22 | 24 |
| VR NW 08 HS 1/2 ED | S | PN 630 | 12 | G 1/2" -14 | 27,0 | 14 | 47,5 | 17,5 | 27 | 24 |
| VR NW 10 HS 3/8 ED | S | PN 630 | 14 | G 3/8" - 19 | 22,0 | 12 | 48,0 | 18,5 | 24 | 27 |
| VR NW 10 HS ED | S | PN 630 | 14 | G 1/2" -14 | 26,7 | 14 | 51,0 | 19,0 | 27 | 27 |
| VR NW 10 HS 3/4 ED | S | PN 630 | 14 | G 3/4" -14 | 32,0 | 16 | 55,0 | 21,0 | 32 | 27 |
| VR NW 13 HS 3/8 ED | S | PN 400 | 16 | G 3/8" - 19 | 22,0 | 12 | 47,0 | 18,0 | 27 | 30 |
| VR NW 13 HS ED | S | PN 400 | 16 | G 1/2" -14 | 26,7 | 14 | 51,0 | 18,5 | 27 | 30 |
| VR NW 13 HS 3/4 ED | S | PN 400 | 16 | G 3/4" -14 | 32,0 | 16 | 55,0 | 20,5 | 32 | 30 |
| VR NW 16 HS 1/2 ED | S | PN 400 | 20 | G 1/2" -14 | 27,0 | 14 | 56,0 | 20,5 | 32 | 36 |
| VR NW 16 HS ED | S | PN 400 | 20 | G 3/4" -14 | 32,0 | 16 | 58,0 | 20,5 | 32 | 36 |
| VR NW 16 HS 1 ED | S | PN 400 | 20 | G 1" -11 | 39,7 | 18 | 62,0 | 20,5 | 41 | 36 |
| VR NW 20 HS 1/2 ED | S | PN 400 | 25 | G 1/2" -14 | 27,0 | 14 | 61,0 | 23,0 | 41 | 46 |
| VR NW 20 HS 3/4 ED | S | PN 400 | 25 | G 3/4" -14 | 32,0 | 16 | 63,0 | 23,0 | 41 | 46 |
| VR NW 20 HS ED | S | PN 400 | 25 | G 1" -11 | 39,7 | 18 | 65,0 | 23,0 | 41 | 46 |
| VR NW 25 HS ED | S | PN 400 | 30 | G 1,1/4" - 11 | 49,7 | 20 | 70,0 | 23,5 | 50 | 50 |
| VR NW 25 HS 1 ED | S | PN 400 | 30 | G 1" -11 | 40,0 | 18 | 68,0 | 23,5 | 46 | 50 |
| VR NW 32 HS 1 1/4 ED | S | PN 315 | 38 | G 1,1/4" - 11 | 50,0 | 20 | 74,0 | 26,0 | 55 | 60 |
| VR NW 32 HS ED | S | PN 315 | 38 | G 1,1/2" - 11 | 55,0 | 22 | 79,0 | 26,0 | 55 | 60 |

Seriya: LL = veoma lagan L = lagan S = težak - PN = nazivni tlak PB = maks. radni tlak - Ø d2 = vanjski promjer cijevi

Varijante proizvoda

| | |
|----------|--|
| VR ED MG | Uvrtni vijčani spoj, Mjed |
| VR ED VA | Uvrtni vijčani spoj, Oplemenjeni čelik |
| XVR ED | Uvrtni vijčani spoj, Čelik |

Rezervni dijelovi

| | |
|----|----------------------------------|
| WD | Meka brtva za ED vijčane spojeve |
|----|----------------------------------|