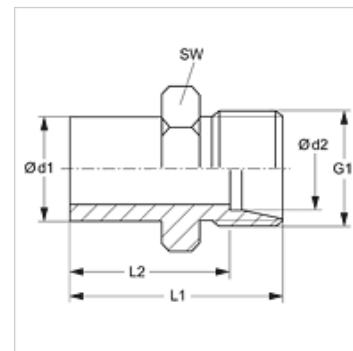


### Karakteristike

|                    |   |
|--------------------|---|
| Priključak 1       | Nastavak cijevi nije prethodno montiran           |
| Oblik brtve 1      | Spoj za narezni prsten                            |
| Priključak 2       | metrički vanjski navoji, cilindrični              |
| Oblik brtve 2      | 24° unutarnji konus                               |
| Izvedba            | Redukcijski vijčani spoj, nije prethodno montiran |
| Oblik izrade       | ravno   |
| Opseg isporuke     | Nastavak (bez pretorne matice i nareznog prstena) |
| Materijal          | Čelik   |
| Površinska zaštita | galvanski premaz                                  |



### Napomena

Upute za montažu, ugradnju, tlačno opterećenje i dopuštene radne temperature pronaći ćete u tehničkim informacijama za vijčane spojeve cijevi.

### Artikli

| Naziv            | Serija | Radni tlak bari | Ø d1 (mm) | Ø d2 (mm) | G1         | L1 (mm) | L2 (mm) | SW (mm) |
|------------------|--------|-----------------|-----------|-----------|------------|---------|---------|---------|
| XNAH NW 04 LL 04 | L / LL | PN 100          | 6         | 4         | M 8 x 1    | 28,5    | 24,0    | 11      |
| XNAH NW 06 LL 04 | L / LL | PN 100          | 8         | 4         | M 8 x 1    | 28,5    | 24,5    | 12      |
| XNAH NW 08 LL 04 | L / LL | PN 100          | 10        | 4         | M 8 x 1    | 28,5    | 24,5    | 11      |
| XNAH NW 10 LL 04 | L / LL | PN 100          | 12        | 4         | M 8 x 1    | 28,5    | 24,5    | 11      |
| XNAH NW 06 L 04  | L      | PN 315          | 8         | 6         | M 12 x 1,5 | 33,5    | 26,5    | 12      |
| XNAH NW 08 L 04  | L      | PN 315          | 10        | 6         | M 12 x 1,5 | 34,0    | 27,0    | 12      |
| XNAH NW 08 L 06  | L      | PN 315          | 10        | 8         | M 14 x 1,5 | 34,5    | 27,5    | 14      |
| XNAH NW 10 L 04  | L      | PN 315          | 12        | 6         | M 12 x 1,5 | 35,0    | 28,0    | 14      |
| XNAH NW 10 L 06  | L      | PN 315          | 12        | 8         | M 14 x 1,5 | 36,0    | 29,0    | 14      |
| XNAH NW 10 L 08  | L      | PN 315          | 12        | 10        | M 16 x 1,5 | 37,0    | 30,0    | 17      |
| XNAH NW 10 L     | L      | PN 315          | 12        | 12        | M 18 x 1,5 | 38,0    | 31,0    | 19      |
| XNAH NW 13 L 04  | L      | PN 315          | 15        | 6         | M 12 x 1,5 | 36,0    | 29,0    | 17      |
| XNAH NW 13 L 06  | L      | PN 315          | 15        | 8         | M 14 x 1,5 | 36,0    | 29,0    | 17      |
| XNAH NW 13 L 08  | L      | PN 315          | 15        | 10        | M 16 x 1,5 | 37,0    | 30,0    | 17      |
| XNAH NW 13 L 10  | L      | PN 315          | 15        | 12        | M 18 x 1,5 | 38,0    | 31,0    | 19      |
| XNAH NW 13 L     | L      | PN 315          | 15        | 15        | M 22 x 1,5 | 39,0    | 32,0    | 24      |
| XNAH NW 16 L 04  | L      | PN 315          | 18        | 6         | M 12 x 1,5 | 37,0    | 30,0    | 19      |
| XNAH NW 16 L 06  | L      | PN 315          | 18        | 8         | M 14 x 1,5 | 38,0    | 31,0    | 19      |
| XNAH NW 16 L 08  | L      | PN 315          | 18        | 10        | M 16 x 1,5 | 39,0    | 32,0    | 19      |
| XNAH NW 16 L 10  | L      | PN 315          | 18        | 12        | M 18 x 1,5 | 40,0    | 33,0    | 19      |
| XNAH NW 16 L 13  | L      | PN 315          | 18        | 15        | M 22 x 1,5 | 39,5    | 32,5    | 24      |
| XNAH NW 20 L 04  | L      | PN 160          | 22        | 6         | M 14 x 1,5 | 39,0    | 32,0    | 24      |
| XNAH NW 20 L 06  | L      | PN 160          | 22        | 8         | M 16 x 1,5 | 40,0    | 33,0    | 24      |
| XNAH NW 20 L 08  | L      | PN 160          | 22        | 10        | M 18 x 1,5 | 42,0    | 35,0    | 24      |
| XNAH NW 20 L 10  | L      | PN 160          | 22        | 12        | M 18 x 1,5 | 42,0    | 35,0    | 24      |
| XNAH NW 20 L 13  | L      | PN 160          | 22        | 15        | M 22 x 1,5 | 43,0    | 36,0    | 24      |
| XNAH NW 20 L 16  | L      | PN 160          | 22        | 18        | M 26 x 1,5 | 44,0    | 36,5    | 27      |
| XNAH NW 25 L 04  | L      | PN 160          | 28        | 6         | M 12 x 1,5 | 41,0    | 34,0    | 30      |
| XNAH NW 25 L 06  | L      | PN 160          | 28        | 8         | M 14 x 1,5 | 41,0    | 34,0    | 30      |
| XNAH NW 25 L 08  | L      | PN 160          | 28        | 10        | M 16 x 1,5 | 42,0    | 35,0    | 30      |
| XNAH NW 25 L 10  | L      | PN 160          | 28        | 12        | M 18 x 1,5 | 43,0    | 36,0    | 30      |
| XNAH NW 25 L 13  | L      | PN 160          | 28        | 15        | M 22 x 1,5 | 44,0    | 37,0    | 30      |
| XNAH NW 25 L 16  | L      | PN 160          | 28        | 18        | M 26 x 1,5 | 45,0    | 37,5    | 30      |
| XNAH NW 25 L 20  | L      | PN 160          | 28        | 22        | M 30 x 2   | 47,0    | 39,5    | 32      |
| XNAH NW 32 L 04  | L      | PN 160          | 35        | 6         | M 12 x 1,5 | 47,0    | 40,0    | 36      |
| XNAH NW 32 L 06  | L      | PN 160          | 35        | 8         | M 14 x 1,5 | 47,0    | 40,0    | 36      |
| XNAH NW 32 L 08  | L      | PN 160          | 35        | 10        | M 16 x 1,5 | 48,0    | 41,0    | 36      |
| XNAH NW 32 L 10  | L      | PN 160          | 35        | 12        | M 18 x 1,5 | 49,0    | 42,0    | 36      |
| XNAH NW 32 L 13  | L      | PN 160          | 35        | 15        | M 22 x 1,5 | 50,0    | 43,0    | 36      |
| XNAH NW 32 L 16  | L      | PN 160          | 35        | 18        | M 26 x 1,5 | 49,5    | 42,0    | 36      |
| XNAH NW 32 L 20  | L      | PN 160          | 35        | 22        | M 30 x 2   | 53,0    | 45,5    | 36      |
| XNAH NW 32 L 25  | L      | PN 160          | 35        | 28        | M 36 x 2   | 54,0    | 46,5    | 41      |
| XNAH NW 40 L 04  | L      | PN 160          | 42        | 6         | M 12 x 1,5 | 49,5    | 42,5    | 46      |
| XNAH NW 40 L 06  | L      | PN 160          | 42        | 8         | M 14 x 1,5 | 49,5    | 42,5    | 46      |



## Artikli

| Naziv             | Seriya | Radni tlak bari | Ø d1 (mm) | Ø d2 (mm) | G1         | L1 (mm) | L2 (mm) | SW (mm) |
|-------------------|--------|-----------------|-----------|-----------|------------|---------|---------|---------|
| XNAH NW 40 L 08   | L      | PN 160          | 42        | 10        | M 16 x 1,5 | 49,0    | 42,0    | 46      |
| XNAH NW 40 L 10   | L      | PN 160          | 42        | 12        | M 18 x 1,5 | 50,0    | 43,0    | 46      |
| XNAH NW 40 L 13   | L      | PN 160          | 42        | 15        | M 22 x 1,5 | 52,0    | 45,0    | 46      |
| XNAH NW 40 L 16   | L      | PN 160          | 42        | 18        | M 26 x 1,5 | 51,5    | 44,0    | 46      |
| XNAH NW 40 L 20   | L      | PN 160          | 42        | 22        | M 30 x 2   | 53,5    | 46,0    | 46      |
| XNAH NW 40 L 25   | L      | PN 160          | 42        | 28        | M 36 x 2   | 55,0    | 47,5    | 46      |
| XNAH NW 40 L 32   | L      | PN 160          | 42        | 35        | M 45 x 2   | 58,0    | 47,5    | 46      |
| XNAH NW 16 L 13 S | L / S  | PN 315          | 18        | 16        | M 24 x 1,5 | 40,0    | 36,0    | 27      |
| XNAH NW 20 L 13 S | L / S  | PN 160          | 22        | 16        | M 24 x 1,5 | 43,0    | 38,0    | 27      |
| XNAH NW 20 L 16 S | L / S  | PN 160          | 22        | 20        | M 30 x 2   | 45,0    | 38,0    | 32      |
| XNAH NW 25 L 13 S | L / S  | PN 160          | 28        | 16        | M 24 x 1,5 | 45,0    | 39,0    | 32      |
| XNAH NW 25 L 20 S | L / S  | PN 160          | 28        | 25        | M 36 x 2   | 50,0    | 40,5    | 41      |
| XNAH NW 04 S 03   | S      | PN 630          | 8         | 6         | M 14 x 1,5 | 37,0    | 30,0    | 17      |
| XNAH NW 06 S 03   | S      | PN 630          | 10        | 6         | M 14 x 1,5 | 39,0    | 32,0    | 17      |
| XNAH NW 06 S 04   | S      | PN 630          | 10        | 8         | M 16 x 1,5 | 34,0    | 31,0    | 17      |
| XNAH NW 08 S 03   | S      | PN 630          | 12        | 6         | M 14 x 1,5 | 39,0    | 32,0    | 17      |
| XNAH NW 08 S 04   | S      | PN 630          | 12        | 8         | M 16 x 1,5 | 41,0    | 34,0    | 17      |
| XNAH NW 08 S 06   | S      | PN 630          | 12        | 10        | M 18 x 1,5 | 41,0    | 33,5    | 19      |
| XNAH NW 10 S 03   | S      | PN 630          | 14        | 6         | M 14 x 1,5 | 42,0    | 35,0    | 17      |
| XNAH NW 10 S 04   | S      | PN 630          | 14        | 8         | M 16 x 1,5 | 44,0    | 37,0    | 17      |
| XNAH NW 10 S 06   | S      | PN 630          | 14        | 10        | M 18 x 1,5 | 44,0    | 36,5    | 19      |
| XNAH NW 10 S 08   | S      | PN 630          | 14        | 12        | M 20 x 1,5 | 46,0    | 38,5    | 22      |
| XNAH NW 13 S 03   | S      | PN 630          | 16        | 6         | M 14 x 1,5 | 42,0    | 35,0    | 17      |
| XNAH NW 13 S 04   | S      | PN 630          | 16        | 8         | M 16 x 1,5 | 44,0    | 37,0    | 17      |
| XNAH NW 13 S 06   | S      | PN 630          | 16        | 10        | M 18 x 1,5 | 44,0    | 36,5    | 19      |
| XNAH NW 13 S 08   | S      | PN 630          | 16        | 12        | M 20 x 1,5 | 46,0    | 38,5    | 22      |
| XNAH NW 13 S 10   | S      | PN 630          | 16        | 14        | M 22 x 1,5 | 48,0    | 40,0    | 24      |
| XNAH NW 16 S 03   | S      | PN 400          | 20        | 6         | M 14 x 1,5 | 49,0    | 42,0    | 22      |
| XNAH NW 16 S 04   | S      | PN 400          | 20        | 8         | M 16 x 1,5 | 49,0    | 42,0    | 22      |
| XNAH NW 16 S 06   | S      | PN 400          | 20        | 10        | M 18 x 1,5 | 50,0    | 42,5    | 22      |
| XNAH NW 16 S 08   | S      | PN 400          | 20        | 12        | M 20 x 1,5 | 51,0    | 43,5    | 22      |
| XNAH NW 16 S 10   | S      | PN 400          | 20        | 14        | M 22 x 1,5 | 53,0    | 45,0    | 24      |
| XNAH NW 16 S 13   | S      | PN 400          | 20        | 16        | M 24 x 1,5 | 53,0    | 44,5    | 27      |
| XNAH NW 20 S 03   | S      | PN 400          | 25        | 6         | M 14 x 1,5 | 51,0    | 44,0    | 27      |
| XNAH NW 20 S 04   | S      | PN 400          | 25        | 8         | M 16 x 1,5 | 51,0    | 44,0    | 27      |
| XNAH NW 20 S 06   | S      | PN 400          | 25        | 10        | M 18 x 1,5 | 51,0    | 43,5    | 27      |
| XNAH NW 20 S 08   | S      | PN 400          | 25        | 12        | M 20 x 1,5 | 53,0    | 44,5    | 27      |
| XNAH NW 20 S 10   | S      | PN 400          | 25        | 14        | M 22 x 1,5 | 55,0    | 47,0    | 27      |
| XNAH NW 20 S 13   | S      | PN 400          | 25        | 16        | M 24 x 1,5 | 56,0    | 47,5    | 27      |
| XNAH NW 20 S 16   | S      | PN 400          | 25        | 20        | M 30 x 2   | 59,0    | 48,5    | 32      |
| XNAH NW 25 S 03   | S      | PN 400          | 30        | 6         | M 14 x 1,5 | 59,0    | 52,0    | 32      |
| XNAH NW 25 S 04   | S      | PN 400          | 30        | 8         | M 16 x 1,5 | 59,0    | 52,0    | 32      |
| XNAH NW 25 S 06   | S      | PN 400          | 30        | 10        | M 18 x 1,5 | 59,0    | 51,5    | 32      |
| XNAH NW 25 S 08   | S      | PN 400          | 30        | 12        | M 20 x 1,5 | 59,0    | 51,5    | 32      |
| XNAH NW 25 S 10   | S      | PN 400          | 30        | 14        | M 22 x 1,5 | 58,0    | 50,0    | 32      |
| XNAH NW 25 S 13   | S      | PN 400          | 30        | 16        | M 24 x 1,5 | 61,0    | 52,5    | 32      |
| XNAH NW 25 S 16   | S      | PN 400          | 30        | 20        | M 30 x 2   | 60,0    | 49,5    | 32      |
| XNAH NW 25 S 20   | S      | PN 400          | 30        | 25        | M 36 x 2   | 69,0    | 57,0    | 41      |
| XNAH NW 32 S 03   | S      | PN 315          | 38        | 6         | M 14 x 1,5 | 62,0    | 55,0    | 41      |
| XNAH NW 32 S 04   | S      | PN 315          | 38        | 8         | M 16 x 1,5 | 62,0    | 55,0    | 41      |
| XNAH NW 32 S 06   | S      | PN 315          | 38        | 10        | M 18 x 1,5 | 62,0    | 54,5    | 41      |
| XNAH NW 32 S 08   | S      | PN 315          | 38        | 12        | M 20 x 1,5 | 62,0    | 54,5    | 41      |
| XNAH NW 32 S 10   | S      | PN 315          | 38        | 14        | M 22 x 1,5 | 65,0    | 57,0    | 41      |
| XNAH NW 32 S 13   | S      | PN 315          | 38        | 16        | M 24 x 1,5 | 64,0    | 55,5    | 41      |
| XNAH NW 32 S 16   | S      | PN 315          | 38        | 20        | M 30 x 2   | 67,0    | 56,5    | 41      |
| XNAH NW 32 S 20   | S      | PN 315          | 38        | 25        | M 36 x 2   | 72,0    | 60,0    | 41      |
| XNAH NW 32 S 25   | S      | PN 315          | 38        | 30        | M 42 x 2   | 74,0    | 60,5    | 46      |
| XNAH NW 13 S 13 L | S / L  | PN 315          | 16        | 15        | M 22 x 1,5 | 39,0    | 37,0    | 24      |
| XNAH NW 16 S 13 L | S / L  | PN 315          | 20        | 15        | M 22 x 1,5 | 43,0    | 43,0    | 24      |
| XNAH NW 16 S 16 L | S / L  | PN 315          | 20        | 18        | M 26 x 1,5 | 43,0    | 42,5    | 27      |



## Artikli

| Naziv             | Seriya | Radni tlak bari | Ø d1 (mm) | Ø d2 (mm) | G1       | L1 (mm) | L2 (mm) | SW (mm) |
|-------------------|--------|-----------------|-----------|-----------|----------|---------|---------|---------|
| XNAH NW 20 S 20 L | S / L  | PN 160          | 25        | 22        | M 30 x 2 | 47,5    | 48,5    | 32      |
| XNAH NW 25 S 25 L | S / L  | PN 160          | 30        | 28        | M 36 x 2 | 53,0    | 50,5    | 41      |

Seriya: LL = veoma lagan L = lagan S = težak - PN = nazivni tlak PB = maks. radni tlak - Ø d1 = vanjski promjer cijevi - Ø d2 = vanjski promjer cijevi

## Varijante proizvoda

|         |  |
|---------|--|
| XNAH VA | Redukcijski vijčani spoj, nije prethodno montiran, Oplemenjeni čelik |
| NAH     | Redukcijski vijčani spoj, nije prethodno montiran, Čelik             |

## Dodatni elementi

|     |                         |
|-----|-------------------------|
| VOM | Nastavci za predmontažu |
|-----|-------------------------|