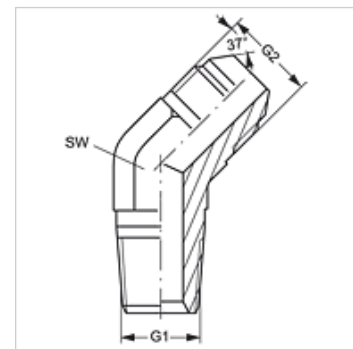


W45 HRK HJ

Uvrtni nastavak, kut 45°

Karakteristike

| | |
|--------------------|------------------------------------|
| Priključak 1 | BSP vanjski navoj, konusni |
| Oblik brtve 1 | brtvljenje navoja |
| Priključak 2 | UN/UNF vanjski navoji |
| Oblik brtve 2 | 74° vanjski konus |
| Izvedba | Uvrtni nastavak, podesiv po smjeru |
| Oblik izrade | Kutevi 45° |
| Materijal | Čelik |
| Površinska zaštita | galvanski premaz |



Artikli

| Naziv | G1 | G2 | SW (mm) |
|------------------|------------|----------------|------------|
| W45 HRK 02 HJ 04 | R 1/8" K | 7/16" -20 UNF | 11 |
| W45 HRK 02 HJ 05 | R 1/8" K | 1/2" -20 UNF | 13 |
| W45 HRK 02 HJ 06 | R 1/8" K | 9/16" - 18 UNF | 14 |
| W45 HRK 04 HJ | R 1/4" K | 7/16" -20 UNF | 14 |
| W45 HRK 04 HJ 05 | R 1/4" K | 1/2" -20 UNF | 22 |
| W45 HRK 04 HJ 06 | R 1/4" K | 9/16" - 18 UNF | 14 |
| W45 HRK 04 HJ 08 | R 1/4" K | 3/4" - 16 UNF | 19 |
| W45 HRK 06 HJ 04 | R 3/8" K | 7/16" -20 UNF | 19 |
| W45 HRK 06 HJ 05 | R 3/8" K | 1/2" -20 UNF | 14 |
| W45 HRK 06 HJ | R 3/8" K | 9/16" - 18 UNF | 19 |
| W45 HRK 06 HJ 08 | R 3/8" K | 3/4" - 16 UNF | 19 |
| W45 HRK 06 HJ 10 | R 3/8" K | 7/8" - 14 UNF | 22 |
| W45 HRK 08 HJ 04 | R 1/2" K | 7/16" -20 UNF | 22 |
| W45 HRK 08 HJ 06 | R 1/2" K | 9/16" - 18 UNF | 22 |
| W45 HRK 08 HJ | R 1/2" K | 3/4" - 16 UNF | 22 |
| W45 HRK 08 HJ 10 | R 1/2" K | 7/8" - 14 UNF | 22 |
| W45 HRK 08 HJ 12 | R 1/2" K | 1.1/16" -12 UN | 27 |
| W45 HRK 12 HJ | R 3/4" K | 1.1/16" -12 UN | 37 |
| W45 HRK 12 HJ 10 | R 3/4" K | 7/8" - 14 UNF | 27 |
| W45 HRK 12 HJ 16 | R 3/4" K | 1,5/16" -12 UN | 33 |
| W45 HRK 16 HJ 10 | R 1" K | 7/8" - 14 UNF | 33 |
| W45 HRK 16 HJ 12 | R 1" K | 1.1/16" -12 UN | 33 |
| W45 HRK 16 HJ | R 1" K | 1,5/16" -12 UN | 33 |
| W45 HRK 16 HJ 20 | R 1" K | 1,5/8" -12 UN | 41 |
| W45 HRK 20 HJ | R 1,1/4" K | 1,5/8" -12 UN | 41 |
| W45 HRK 24 HJ | R 1,1/2" K | 1,7/8" -12 UN | 48 |
| W45 HRK 32 HJ | R 2" K | 2,1/2" -12 UN | 66 |

SW = širina ključa