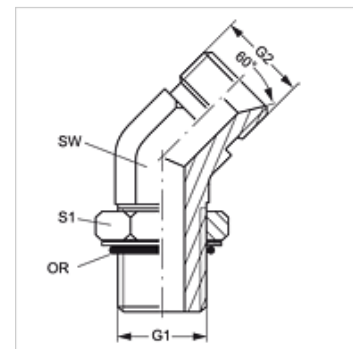


# W45 HRO HB

## Uvrtni nastavak, kut 45°

### Karakteristike

|                    |                                    |
|--------------------|------------------------------------|
| Priključak 1       | BSP vanjski navoj, cilindrični     |
| Oblik brtve 1      | G oblik                            |
| Priključak 2       | BSP vanjski navoj, cilindrični     |
| Oblik brtve 2      | 60° unutarnji konus                |
| Izvedba            | Uvrtni nastavak, podesiv po smjeru |
| Oblik izrade       | Kutevi 45°                         |
| Materijal          | Čelik                              |
| Površinska zaštita | galvanski premaz                   |



### Artikli

| Naziv            | G1            | G2            | SW<br>(mm) | S1 | OR           |
|------------------|---------------|---------------|------------|----|--------------|
| W45 HRO 02 HB    | G 1/8" - 28   | G 1/8" - 28   | 11         | 16 | 7,65 x 1,78  |
| W45 HRO 04 HB 02 | G 1/4" - 19   | G 1/8" - 28   | 14         | 20 | 10,78 x 2,62 |
| W45 HRO 04 HB    | G 1/4" - 19   | G 1/4" - 19   | 14         | 20 | 10,78 x 2,62 |
| W45 HRO 06 HB 04 | G 3/8" - 19   | G 1/4" - 19   | 14         | 24 | 13,94 x 2,62 |
| W45 HRO 06 HB    | G 3/8" - 19   | G 3/8" - 19   | 19         | 24 | 13,94 x 2,62 |
| W45 HRO 06 HB 08 | G 3/8" - 19   | G 1/2" - 14   | 22         | 24 | 13,94 x 2,62 |
| W45 HRO 08 HB 06 | G 1/2" - 14   | G 3/8" - 19   | 22         | 28 | 17,86 x 2,62 |
| W45 HRO 08 HB    | G 1/2" - 14   | G 1/2" - 14   | 22         | 28 | 17,86 x 2,62 |
| W45 HRO 08 HB 10 | G 1/2" - 14   | G 5/8" - 14   | 22         | 28 | 17,86 x 2,62 |
| W45 HRO 08 HB 12 | G 1/2" - 14   | G 3/4" - 14   | 27         | 28 | 17,86 x 2,62 |
| W45 HRO 12 HB 08 | G 3/4" - 14   | G 1/2" - 14   | 27         | 35 | 23,47 x 2,62 |
| W45 HRO 12 HB    | G 3/4" - 14   | G 3/4" - 14   | 27         | 35 | 23,47 x 2,62 |
| W45 HRO 12 HB 16 | G 3/4" - 14   | G 1" - 11     | 27         | 35 | 23,47 x 2,62 |
| W45 HRO 16 HB 12 | G 1" - 11     | G 3/4" - 14   | 33         | 43 | 29,74 x 3,53 |
| W45 HRO 16 HB    | G 1" - 11     | G 1" - 11     | 33         | 43 | 29,74 x 3,53 |
| W45 HRO 20 HB    | G 1,1/4" - 11 | G 1,1/4" - 11 | 41         | 52 | 37,69 x 3,53 |
| W45 HRO 24 HB    | G 1,1/2" - 11 | G 1,1/2" - 11 | 48         | 58 | 44,04 x 3,53 |

SW, S1, S2 = širina ključa