

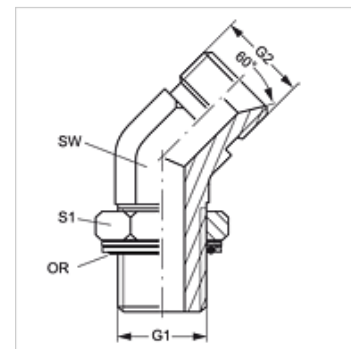
W45 HROK HB

Uvrtni nastavak, kut 45°

HANSA FLEX

Karakteristike

Priključak 1	BSP vanjski navoj, cilindrični
Oblik brtve 1	Navojni nastavak s O prstenom + komorni prsten
Priključak 2	BSP vanjski navoj, cilindrični
Oblik brtve 2	60° unutarnji konus
Izvedba	Uvrtni nastavak, podesiv po smjeru
Oblik izrade	Kutevi 45°
Materijal	Čelik
Površinska zaštita	galvanski premaz



Artikli

Naziv	G1	G2	SW (mm)	S1	OR
W45 HROK 02 HB	G 1/8" - 28	G 1/8" - 28	11	16	7,65 x 1,78
W45 HROK 04 HB	G 1/4" - 19	G 1/4" - 19	14	20	10,78 x 2,62
W45 HROK 04 HB 02	G 1/4" - 19	G 1/8" - 28	14	20	10,78 x 2,62
W45 HROK 04 HB 06	G 1/4" - 19	G 3/8" - 19	14	16	10,78 x 2,62
W45 HROK 06 HB	G 3/8" - 19	G 3/8" - 19	22	24	13,94 x 2,62
W45 HROK 06 HB 04	G 3/8" - 19	G 1/4" - 19	14	24	13,94 x 2,62
W45 HROK 06 HB 08	G 3/8" - 19	G 1/2" -14	22	24	13,94 x 2,62
W45 HROK 08 HB	G 1/2" -14	G 1/2" -14	22	28	17,86 x 2,62
W45 HROK 08 HB 06	G 1/2" -14	G 3/8" - 19	22	28	17,86 x 2,62
W45 HROK 08 HB 10	G 1/2" -14	G 5/8" -14	22	28	17,86 x 2,62
W45 HROK 08 HB 12	G 1/2" -14	G 3/4" -14	27	28	17,86 x 2,62
W45 HROK 12 HB	G 3/4" -14	G 3/4" -14	27	35	23,47 x 2,62
W45 HROK 12 HB 06	G 3/4" -14	G 3/8" - 19	27	35	23,47 x 2,62
W45 HROK 12 HB 16	G 3/4" -14	G 1" -11	33	35	23,47 x 2,62
W45 HROK 16 HB	G 1" -11	G 1" -11	33	43	29,74 x 3,53
W45 HROK 16 HB 12	G 1" -11	G 3/4" -14	33	43	29,74 x 3,53
W45 HROK 20 HB	G 1,1/4" - 11	G 1,1/4" - 11	41	52	37,69 x 3,53
W45 HROK 20 HB 16	G 1,1/4" - 11	G 1" -11	41	52	37,69 x 3,53
W45 HROK 24 HB	G 1,1/2" - 11	G 1,1/2" - 11	48	58	44,04 x 3,53

SW, S1, S2 = širina kijuča

Rezervni dijelovi

KAMMRING G Komorni prsten, colni