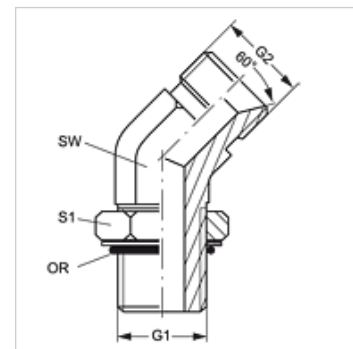


W45 O HB

Uvrtni nastavak, kut 45°

Karakteristike

Priključak 1	UN/UNF vanjski navoji
Oblik brtve 1	O prstenasta brtva na uvrtnom nastavku
Priključak 2	BSP vanjski navoj, cilindrični
Oblik brtve 2	60° unutarnji konus
Izvedba	Uvrtni nastavci
Oblik izrade	Kutevi 45°
Materijal	Čelik
Površinska zaštita	galvanski premaz



Artikli

Naziv	G1	G2	SW (mm)	S1	OR
W45 O 04 HB 02	7/16" -20 UNF	G 1/8" - 28	11	14	8,92 x 1,83
W45 O 04 HB	7/16" -20 UNF	G 1/4" - 19	11	14	8,92 x 1,83
W45 O 04 HB 06	7/16" -20 UNF	G 3/8" - 19	14	14	8,92 x 1,83
W45 O 05 HB 02	1/2" -20 UNF	G 1/8" - 28	13	16	10,52 x 1,83
W45 O 05 HB 04	1/2" -20 UNF	G 1/4" - 19	13	16	10,52 x 1,83
W45 O 06 HB 04	9/16" - 18 UNF	G 1/4" - 19	14	17	11,90 x 1,98
W45 O 06 HB	9/16" - 18 UNF	G 3/8" - 19	14	17	11,90 x 1,98
W45 O 08 HB 04	3/4" - 16 UNF	G 1/4" - 19	19	22	16,36 x 2,20
W45 O 08 HB 06	3/4" - 16 UNF	G 3/8" - 19	19	22	16,36 x 2,20
W45 O 08 HB	3/4" - 16 UNF	G 1/2" -14	19	22	16,36 x 2,20
W45 O 08 HB 12	3/4" - 16 UNF	G 3/4" -14	27	22	16,36 x 2,20
W45 O 10 HB 06	7/8" -14 UNF	G 3/8" - 19	22	25	19,18 x 2,46
W45 O 10 HB 08	7/8" -14 UNF	G 1/2" -14	22	25	19,18 x 2,46
W45 O 10 HB 12	7/8" -14 UNF	G 3/4" -14	27	25	19,18 x 2,46
W45 O 12 HB 08	1.1/16" -12 UN	G 1/2" -14	27	32	23,47 x 2,95
W45 O 12 HB	1.1/16" -12 UN	G 3/4" -14	27	32	23,47 x 2,95
W45 O 12 HB 16	1.1/16" -12 UN	G 1" -11	33	32	23,47 x 2,95
W45 O 16 HB 12	1,5/16" -12 UN	G 3/4" -14	33	38	29,74 x 2,95
W45 O 16 HB	1,5/16" -12 UN	G 1" -11	33	38	29,74 x 2,95

SW, S1, S2 = širina kluča