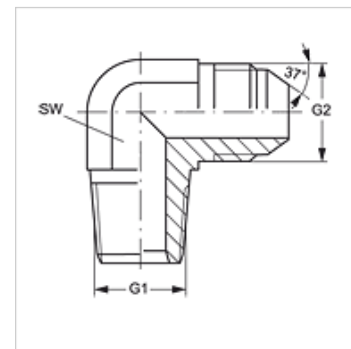


W90 HN HJ

Uvrtni nastavak, kut 90°

Karakteristike

Priključak 1	NPT vanjski navoji
Oblik brtve 1	brtvljenje navoja
Priključak 2	UN/UNF vanjski navoji
Oblik brtve 2	74° vanjski konus
Izvedba	Uvrtni nastavci
Oblik izrade	Kutevi 90°
Materijal	Čelik
Površinska zaštita	galvanski premaz



Artikli

Naziv	G1	G2	SW (mm)
W90 HN 02 HJ	1/8" -27 NPT	5/16" - 24 UN	8
W90 HN 02 HJ 04	1/8" -27 NPT	7/16" -20 UNF	11
W90 HN 02 HJ 05	1/8" -27 NPT	1/2" -20 UNF	13
W90 HN 02 HJ 06	1/8" -27 NPT	9/16" - 18 UNF	14
W90 HN 04 HJ	1/4" - 18 NPT	7/16" -20 UNF	14
W90 HN 04 HJ 05	1/4" - 18 NPT	1/2" -20 UNF	14
W90 HN 04 HJ 06	1/4" - 18 NPT	9/16" - 18 UNF	14
W90 HN 04 HJ 08	1/4" - 18 NPT	3/4" - 16 UNF	19
W90 HN 06 HJ 04	3/8" - 18 NPT	7/16" -20 UNF	19
W90 HN 06 HJ	3/8" - 18 NPT	9/16" - 18 UNF	19
W90 HN 06 HJ 05	3/8" - 18 NPT	1/2" -20 UNF	19
W90 HN 06 HJ 08	3/8" - 18 NPT	3/4" - 16 UNF	19
W90 HN 06 HJ 10	3/8" - 18 NPT	7/8" - 14 UNF	22
W90 HN 08 HJ 04	1/2" - 14 NPT	7/16" -20 UNF	22
W90 HN 08 HJ	1/2" - 14 NPT	3/4" - 16 UNF	22
W90 HN 08 HJ 05	1/2" - 14 NPT	1/2" -20 UNF	19
W90 HN 08 HJ 06	1/2" - 14 NPT	9/16" - 18 UNF	22
W90 HN 08 HJ 10	1/2" - 14 NPT	7/8" - 14 UNF	22
W90 HN 08 HJ 12	1/2" - 14 NPT	1.1/16" -12 UN	27
W90 HN 12 HJ	3/4" - 14 NPT	1.1/16" -12 UN	27
W90 HN 12 HJ 06	3/4" - 14 NPT	9/16" - 18 UNF	27
W90 HN 12 HJ 08	3/4" - 14 NPT	3/4" - 16 UNF	27
W90 HN 12 HJ 10	3/4" - 14 NPT	7/8" - 14 UNF	27
W90 HN 12 HJ 14	3/4" - 14 NPT	1,3/16" -12 UN	31
W90 HN 12 HJ 16	3/4" - 14 NPT	1,5/16" -12 UN	33
W90 HN 16 HJ	1" -11,5 NPT	1,5/16" -12 UN	33
W90 HN 16 HJ 12	1" -11,5 NPT	1.1/16" -12 UN	33
W90 HN 16 HJ 20	1" -11,5 NPT	1,5/8" -12 UN	41
W90 HN 20 HJ 16	1,1/4" - 11,5 NPT	1,5/16" -12 UN	45
W90 HN 20 HJ	1,1/4" - 11,5 NPT	1,5/8" -12 UN	45
W90 HN 20 HJ 24	1,1/4" - 11,5 NPT	1,7/8" -12 UN	48
W90 HN 24 HJ 20	1,1/2" - 11,5 NPT	1,5/8" -12 UN	48
W90 HN 24 HJ	1,1/2" - 11,5 NPT	1,7/8" -12 UN	48
W90 HN 32 HJ	2" -11,5 NPT	2,1/2" -12 UN	64

SW = širina ključa

Varijante proizvoda

W90 HN HJ VA Uvrtni nastavak, kut 90°, Oplemenjeni čelik