

W90 HN HJ VA

Uvrtni nastavak, kut 90°

HANSA FLEX

Karakteristike

Priključak 1 NPT vanjski navoji

Oblik brtve 1 brtvljenje navoja

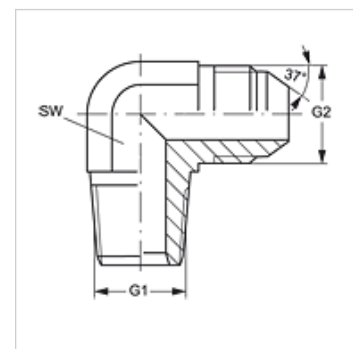
Priključak 2 UN/UNF vanjski navoji

Oblik brtve 2 74° vanjski konus

Izvedba Uvrtni nastavci

Oblik izrade Kutevi 90°

Materijal Oplemenjeni čelik



Artikli

| Naziv | G1 | G2 | SW (mm) | S1 |
|--------------------|-------------------|----------------|------------|----|
| W90 HN 06 HJ 05 VA | 3/8" - 18 NPT | 1/2" -20 UNF | 19 | - |
| W90 HN 20 HJ 24 VA | 1,1/4" - 11,5 NPT | 1,7/8" -12 UN | 48 | - |
| W90 HN 02 HJ 04 VA | 1/8" -27 NPT | 7/16" -20 UNF | 11 | - |
| W90 HN 02 HJ 05 VA | 1/8" -27 NPT | 1/2" -20 UNF | 13 | - |
| W90 HN 02 HJ 06 VA | 1/8" -27 NPT | 9/16" - 18 UNF | 14 | - |
| W90 HN 04 HJ VA | 1/4" - 18 NPT | 7/16" -20 UNF | 14 | - |
| W90 HN 04 HJ 05 VA | 1/4" - 18 NPT | 1/2" -20 UNF | 14 | - |
| W90 HN 04 HJ 06 VA | 1/4" - 18 NPT | 9/16" - 18 UNF | 14 | - |
| W90 HN 04 HJ 08 VA | 1/4" - 18 NPT | 3/4" - 16 UNF | 19 | - |
| W90 HN 06 HJ 04 VA | 3/8" - 18 NPT | 7/16" -20 UNF | 19 | - |
| W90 HN 06 HJ VA | 3/8" - 18 NPT | 9/16" - 18 UNF | 19 | - |
| W90 HN 06 HJ 08 VA | 3/8" - 18 NPT | 3/4" - 16 UNF | 19 | - |
| W90 HN 08 HJ 16 VA | 1/2" - 14 NPT | 1,5/16" -12 UN | 33 | 24 |
| W90 HN 06 HJ 10 VA | 3/8" - 18 NPT | 7/8" - 14 UNF | 22 | - |
| W90 HN 08 HJ VA | 1/2" - 14 NPT | 3/4" - 16 UNF | 22 | - |
| W90 HN 08 HJ 06 VA | 1/2" - 14 NPT | 9/16" - 18 UNF | 22 | - |
| W90 HN 08 HJ 10 VA | 1/2" - 14 NPT | 7/8" - 14 UNF | 22 | - |
| W90 HN 08 HJ 12 VA | 1/2" - 14 NPT | 1.1/16" -12 UN | 27 | - |
| W90 HN 12 HJ VA | 3/4" - 14 NPT | 1.1/16" -12 UN | 27 | - |
| W90 HN 12 HJ 10 VA | 3/4" - 14 NPT | 7/8" - 14 UNF | 27 | - |
| W90 HN 12 HJ 16 VA | 3/4" - 14 NPT | 1,5/16" -12 UN | 33 | - |
| W90 HN 16 HJ VA | 1" -11,5 NPT | 1,5/16" -12 UN | 33 | - |
| W90 HN 16 HJ 12 VA | 1" -11,5 NPT | 1.1/16" -12 UN | 33 | - |
| W90 HN 16 HJ 20 VA | 1" -11,5 NPT | 1,5/8" -12 UN | 41 | - |
| W90 HN 20 HJ VA | 1,1/4" - 11,5 NPT | 1,5/8" -12 UN | 45 | - |
| W90 HN 24 HJ VA | 1,1/2" - 11,5 NPT | 1,7/8" -12 UN | 48 | - |

SW = širina ključa

Varijante proizvoda

W90 HN HJ Uvrtni nastavak, kut 90°, Čelik