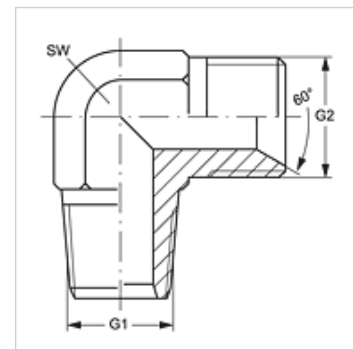


W90 HRK HB

Uvrtni nastavak, kut 90°

Karakteristike

Priključak 1	BSP vanjski navoj, konusni
Oblik brtve 1	brtvljenje navoja
Priključak 2	BSP vanjski navoj, cilindrični
Oblik brtve 2	60° unutarnji konus
Izvedba	Uvrtni nastavci
Oblik izrade	Kutevi 90°
Materijal	Čelik
Površinska zaštita	galvanski premaz



Artikli

Naziv	G1	G2	SW (mm)
W90 HRK 02 HB	R 1/8" K	G 1/8" - 28	11
W90 HRK 02 HB 04	R 1/8" K	G 1/4" - 19	11
W90 HRK 04 HB 02	R 1/4" K	G 1/8" - 28	14
W90 HRK 04 HB	R 1/4" K	G 1/4" - 19	14
W90 HRK 04 HB 06	R 1/4" K	G 3/8" - 19	14
W90 HRK 06 HB 04	R 3/8" K	G 1/4" - 19	14
W90 HRK 06 HB	R 3/8" K	G 3/8" - 19	17
W90 HRK 06 HB 08	R 3/8" K	G 1/2" - 14	19
W90 HRK 08 HB 06	R 1/2" K	G 3/8" - 19	19
W90 HRK 08 HB	R 1/2" K	G 1/2" - 14	19
W90 HRK 08 HB 12	R 1/2" K	G 3/4" - 14	27
W90 HRK 12 HB 08	R 3/4" K	G 1/2" - 14	27
W90 HRK 12 HB	R 3/4" K	G 3/4" - 14	27
W90 HRK 12 HB 16	R 3/4" K	G 1" - 11	33
W90 HRK 16 HB 12	R 1" K	G 3/4" - 14	33
W90 HRK 16 HB	R 1" K	G 1" - 11	36
W90 HRK 20 HB	R 1,1/4" K	G 1,1/4" - 11	41
W90 HRK 24 HB	R 1,1/2" K	G 1,1/2" - 11	48
W90 HRK 32 HB	R 2" K	G 2" - 11	64

SW = širina ključa