

W90 HRO L HJ

Uvrtni nastavak, dugi, kut 90°

HANSA FLEX

Karakteristike

Priključak 1 BSP vanjski navoj, cilindrični

Oblik brtve 1 G oblik

Priključak 2 UN/UNF vanjski navoji

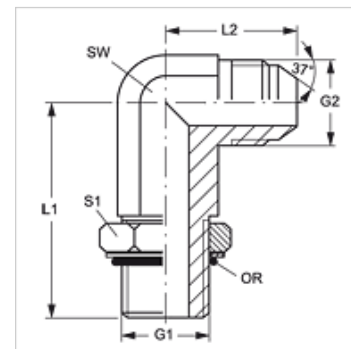
Oblik brtve 2 74° vanjski konus

Izvedba Uvrtni nastavci, dugi

Oblik izrade Kutevi 90°

Materijal Čelik

Površinska zaštita galvanski premaz



Artikli

Naziv	G1	G2	SW (mm)	L1 (mm)	L2 (mm)	S1	OR
W90 HRO L 04 HJ 06	G 1/4" - 19	9/16" - 18 UNF	14	56,5	27,0	19	8,00 x 2,00
W90 HRO L 04 HJ 08	G 1/4" - 19	3/4" - 16 UNF	19	64,0	31,5	19	8,00 x 2,00
W90 HRO L 06 HJ	G 3/8" - 19	9/16" - 18 UNF	19	67,0	28,5	22	13,94 x 2,62
W90 HRO L 06 HJ 08	G 3/8" - 19	3/4" - 16 UNF	19	67,0	31,5	22	13,94 x 2,62
W90 HRO L 06 HJ 10	G 3/8" - 19	7/8" - 14 UNF	22	75,0	36,5	22	17,86 x 2,62
W90 HRO L 08 HJ 06	G 1/2" -14	9/16" - 18 UNF	22	78,0	31,0	27	17,86 x 2,62
W90 HRO L 08 HJ	G 1/2" -14	3/4" - 16 UNF	22	78,0	34,0	27	17,86 x 2,62
W90 HRO L 08 HJ 10	G 1/2" -14	7/8" - 14 UNF	22	78,0	36,5	27	17,86 x 2,62
W90 HRO L 08 HJ 12	G 1/2" -14	1.1/16" -12 UN	27	88,0	42,0	27	17,86 x 2,62
W90 HRO L 12 HJ 10	G 3/4" -14	7/8" - 14 UNF	27	92,0	39,5	36	23,47 x 2,62
W90 HRO L 12 HJ	G 3/4" -14	1.1/16" -12 UN	27	92,0	42,0	36	23,47 x 2,62
W90 HRO L 12 HJ 16	G 3/4" -14	1,5/16" -12 UN	33	105,0	46,0	36	23,47 x 2,62
W90 HRO L 16 HJ 12	G 1" -11	1.1/16" -12 UN	33	105,0	44,5	41	29,74 x 3,53
W90 HRO L 16 HJ	G 1" -11	1,5/16" -12 UN	33	105,0	46,0	41	29,74 x 3,53
W90 HRO L 16 HJ 20	G 1" -11	1,5/8" -12 UN	41	124,0	52,0	41	29,74 x 3,53

SW, S1, S2 = širina klučca