

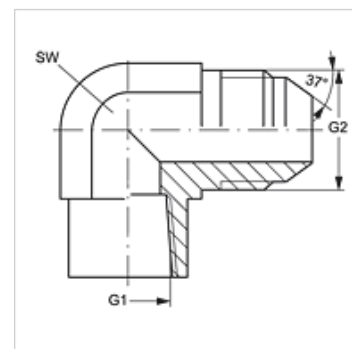
W90 IN HJ

Navrtni nastavak, IGN AGJ kut 90°

HANSA FLEX

Karakteristike

| | |
|--------------------|-----------------------|
| Priključak 1 | NPT unutarnji navoj |
| Oblik brtve 1 | brtvljenje navoja |
| Priključak 2 | UN/UNF vanjski navoji |
| Oblik brtve 2 | 74° vanjski konus |
| Izvedba | Navrtni nastavci |
| Oblik izrade | Kutevi 90° |
| Materijal | Čelik |
| Površinska zaštita | galvanski premaz |



Artikli

| Naziv | G1 | G2 | SW (mm) |
|-----------------|-------------------|----------------|------------|
| W90 IN 02 HJ 04 | 1/8" -27 NPT | 7/16" -20 UNF | 14 |
| W90 IN 02 HJ 05 | 1/8" -27 NPT | 1/2" -20 UNF | 14 |
| W90 IN 02 HJ 06 | 1/8" -27 NPT | 9/16" - 18 UNF | 14 |
| W90 IN 04 HJ | 1/4" - 18 NPT | 7/16" -20 UNF | 19 |
| W90 IN 04 HJ 05 | 1/4" - 18 NPT | 1/2" -20 UNF | 19 |
| W90 IN 04 HJ 06 | 1/4" - 18 NPT | 9/16" - 18 UNF | 19 |
| W90 IN 04 HJ 08 | 1/4" - 18 NPT | 3/4" - 16 UNF | 19 |
| W90 IN 06 HJ | 3/8" - 18 NPT | 9/16" - 18 UNF | 22 |
| W90 IN 06 HJ 08 | 3/8" - 18 NPT | 3/4" - 16 UNF | 22 |
| W90 IN 08 HJ | 1/2" - 14 NPT | 3/4" - 16 UNF | 27 |
| W90 IN 08 HJ 10 | 1/2" - 14 NPT | 7/8" - 14 UNF | 27 |
| W90 IN 08 HJ 12 | 1/2" - 14 NPT | 1.1/16" -12 UN | 27 |
| W90 IN 12 HJ | 3/4" - 14 NPT | 1.1/16" -12 UN | 33 |
| W90 IN 16 HJ | 1" -11,5 NPT | 1,5/16" -12 UN | 41 |
| W90 IN 20 HJ | 1,1/4" - 11,5 NPT | 1,5/8" -12 UN | 48 |
| W90 IN 24 HJ | 1,1/2" - 11,5 NPT | 1,7/8" -12 UN | 64 |

SW = širina ključa

Varijante proizvoda

W90 IN HJ VA Navrtni nastavak, IGN AGJ kut 90°, Oplemenjeni čelik