

G VKS ST 250

Četverokutna prirubnica, Cetop, vijenac za predzavarivanje

HANSA FLEX

Karakteristike

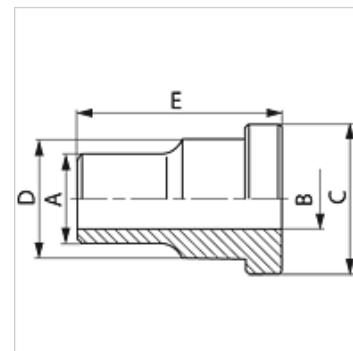
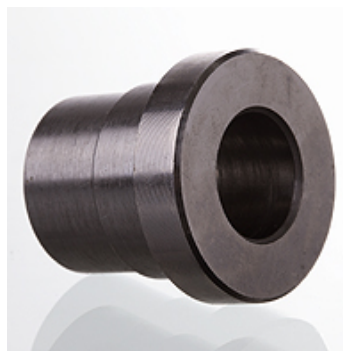
Izvedba Četverokutna prirubnica Cetop

Oblik izrade ravno

Norma CETOP RP 63H
ISO 6164

Materijal S355J2G3 (ST52.3)

Površinska zaštita crno nauljeno



Artikli

Naziv	Tlak PB (bar)	Veličina	A (mm)	Ø B (mm)	C (mm)	D (mm)	E (mm)
G VKS 38 ST 250	250	3/8"	18	12,5	24,5	18,0	30
G VKS 12 ST 250	250	1/2"	22	15,0	30,2	24,0	30
G VKS 34 ST 250	250	3/4"	28	20,0	38,1	31,5	35
G VKS 1 ST 250	250	1"	35	25,0	44,4	38,0	40
G VKS 114 ST 250	250	1.1/4"	43	32,0	50,8	43,0	45
G VKS 112 ST 250	250	1.1/2"	50	38,0	60,3	50,0	50
G VKS 2 ST 250	250	2"	62	47,0	71,4	62,0	60
G VKS 212 ST 250	250	2.1/2"	76	58,0	87,2	76,0	70
G VKS 3 ST 250	250	3"	90	70,0	101,6	90,0	80
G VKS 312 ST 250	250	3.1/2"	102	80,0	119,0	102,0	90
G VKS 4 ST 250	250	4"	114	90,0	131,0	114,0	105

PN = nazivni tlak PB = maks. radni tlak – Serija: LL = veoma lagan L = lagan S = težak