

G VKS ST 400

Četverokutna prirubnica, Cetop, vijenac za predzavarivanje

HANSA FLEX

Karakteristike

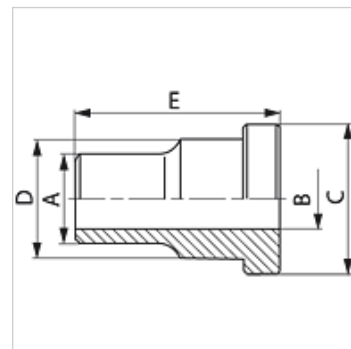
Izvedba Četverokutna prirubnica Cetop

Oblik izrade ravno

Norma CETOP RP 63H
ISO 6164

Materijal S355J2G3 (ST52.3)

Površinska zaštita crno nauljeno



Artikli

Naziv	Tlak PB (bar)	Veličina	A (mm)	Ø B (mm)	C (mm)	D (mm)	E (mm)
G VKS 38 ST 400	400	3/8"	18	11,0	26,0	18	35
G VKS 12 ST 400	400	1/2"	22	14,0	31,8	24	40
G VKS 34 ST 400	400	3/4"	28	18,0	39,5	32	45
G VKS 1 ST 400	400	1"	35	22,0	47,6	38	50
G VKS 114 ST 400	400	1.1/4"	44	29,0	54,0	44	55
G VKS 112 ST 400	400	1.1/2"	51	35,0	63,5	51	60
G VKS 2 ST 400	400	2"	61	43,0	79,4	67	70
G VKS 212 ST 400	400	2.1/2"	80	53,0	94,2	60	80
G VKS 3 ST 400	400	3"	90	58,0	104,0	90	90
G VKS 312 ST 400	400	3.1/2"	102	63,0	119,0	102	90
G VKS 4 ST 400	400	4"	114	74,0	131,0	114	105

Serijska: LL = veoma lagan L = lagan S = težak - PN = nazivni tlak PB = maks. radni tlak