

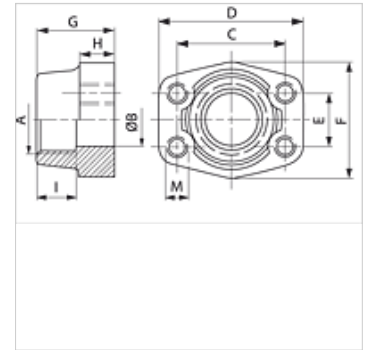
# GFS G U (3000 / 6000 PSI)

SAE uvrtna protuprirubnica, BSP

**HANSA FLEX**

## Karakteristike

Norma	SAE J 518 C ISO 6162
Oblik izrade	ravno
Izvedba	SAE uvrtna protuprirubnica
Pričvršćenje	Unutarnji navoji za UNC vijke
Opseg isporuke	samo priрубnica
Materijal	S355J2G3 (ST52.3)
Površinska zaštita	crno nauljeno



## Napomena

Navedeni maksimalni radni tlak odnosi se na priрубnicu! Stvarni radni tlak određuje cijev (debljina stjenke) i kvaliteta cijevi!

## Artikli

Naziv	Tlačni niz	PB 10.9 (bar)	Veličina	A	Ø B (mm)	C (mm)	D (mm)	E (mm)	F (mm)	G (mm)	H (mm)	I (mm)	M unc
GFS 80 G U	3000 PSI	350	1/2"	G 1/2" -14	13	38,1	54	17,5	46	36	16	19	UNC 5/16"
GFS 80 G 3/8 U	3000 PSI	350	1/2"	G 3/8" - 19	13	38,1	54	17,5	46	36	16	19	UNC 5/16"
GFS 100 G U	3000 PSI	350	3/4"	G 3/4" -14	19	47,6	65	22,2	50	36	18	19	UNC 3/8"
GFS 100 G 1/2 U	3000 PSI	350	3/4"	G 1/2" -14	13	47,6	65	22,2	50	36	18	19	UNC 3/8"
GFS 102 G U	3000 PSI	315	1"	G 1" -11	25	52,4	70	26,2	55	38	18	22	UNC 3/8"
GFS 102 G 3/4 U	3000 PSI	315	1"	G 3/4" -14	19	52,4	70	26,2	55	35	21	19	UNC 3/8"
GFS 104 G U	3000 PSI	250	1.1/4"	G 1,1/4" - 11	32	58,7	79	30,2	68	41	21	22	UNC 7/16"
GFS 104 G 1 U	3000 PSI	250	1.1/4"	G 1" -11	25	58,7	81	30,2	65	42	25	22	UNC 7/16"
GFS 106 G U	3000 PSI	200	1.1/2"	G 1,1/2" - 11	38	69,9	93	35,7	78	45	25	24	UNC 1/2"
GFS 106 G 1 1/4 U	3000 PSI	200	1.1/2"	G 1,1/4" - 11	32	69,9	95	35,7	78	45	27	24	UNC 1/2"
GFS 108 G U	3000 PSI	200	2"	G 2" -11	51	77,8	102	42,9	90	45	25	30	UNC 1/2"
GFS 108 G 1 1/2 U	3000 PSI	200	2"	G 1,1/2" - 11	38	77,8	102	42,9	90	45	25	26	UNC 1/2"
GFS 110 G U	3000 PSI	160	2.1/2"	G 2,1/2" - 11	63	88,9	114	50,8	105	50	25	30	UNC 1/2"
GFS 110 G 2 U	3000 PSI	160	2.1/2"	G 2" -11	51	88,9	114	50,8	105	50	25	30	UNC 1/2"
GFS 112 G U	3000 PSI	138	3"	G 3" -11	73	106,4	134	61,9	124	50	27	34	UNC 5/8"
GFS 112 G 2 1/2 U	3000 PSI	138	3"	G 2,1/2" - 11	63	106,4	134	61,9	124	50	27	30	UNC 5/8"
GFS 114 G U	3000 PSI	35	3.1/2"	G 3,1/2" - 11	89	120,7	152	69,9	136	48	27	34	UNC 5/8"
GFS 114 G 3 U	3000 PSI	35	3.1/2"	G 3" -11	73	120,7	152	69,9	136	48	27	34	UNC 5/8"
GFS 116 G U	3000 PSI	35	4"	G 4" -11	99	130,2	162	77,8	146	48	27	34	UNC 5/8"
GFS 116 G 3 1/2 U	3000 PSI	35	4"	G 3,1/2" - 11	89	130,2	162	77,8	146	48	27	34	UNC 5/8"
GFS 401 G U	6000 PSI	400	1/2"	G 1/2" -14	13	40,5	54	18,2	46	36	16	19	UNC 5/16"
GFS 401 G 3/8 U	6000 PSI	400	1/2"	G 3/8" - 19	13	40,5	54	18,2	46	36	16	19	UNC 5/16"
GFS 402 G U	6000 PSI	400	3/4"	G 3/4" -14	19	50,8	71	23,8	55	35	21	22	UNC 3/8"
GFS 402 G 1/2 U	6000 PSI	400	3/4"	G 1/2" -14	13	50,8	71	23,8	55	35	21	22	UNC 3/8"
GFS 403 G U	6000 PSI	400	1"	G 1" -11	25	57,2	81	27,8	65	42	25	24	UNC 7/16"
GFS 403 G 3/4 U	6000 PSI	400	1"	G 3/4" -14	19	57,2	81	27,8	65	42	25	24	UNC 7/16"
GFS 404 G U	6000 PSI	400	1.1/4"	G 1,1/4" - 11	32	66,7	95	31,8	78	45	27	25	UNC 1/2"
GFS 404 G 1 U	6000 PSI	400	1.1/4"	G 1" -11	25	66,7	95	31,8	78	45	27	25	UNC 1/2"
GFS 405 G U	6000 PSI	400	1.1/2"	G 1,1/2" - 11	38	79,4	112	36,5	94	50	30	28	UNC 5/8"
GFS 405 G 1 1/4 U	6000 PSI	400	1.1/2"	G 1,1/4" - 11	32	79,4	112	36,5	94	50	30	28	UNC 5/8"
GFS 406 G U	6000 PSI	400	2"	G 2" -11	51	96,8	134	44,5	114	65	37	30	UNC 3/4"
GFS 406 G 1 1/2 U	6000 PSI	400	2"	G 1,1/2" - 11	38	96,8	134	44,5	114	65	37	30	UNC 3/4"

PN = nazivni tlak PB = maks. radni tlak

## Varijante proizvoda

GFS G M (3000 / 6000 PSI) SAE uvrtna protuprirubnica, BSP, samo priрубnica