

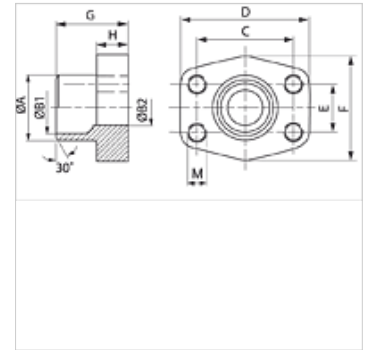
GFS SRE (3000 / 6000 PSI)

SAE protuprirubnica za navarivanje

HANSA FLEX

Karakteristike

| | |
|--------------------|------------------------------------|
| Norma | SAE J 518 C ISO 6162 |
| Oblik izrade | ravno |
| Izvedba | SAE protuprirubnica za navarivanje |
| Pričvršćenje | Unutarnji navoji za metr. vijke |
| Materijal | S355J2G3 (ST52.3) |
| Površinska zaštita | crno nauljeno |



Napomena

Navedeni maksimalni radni tlak odnosi se na prirubnicu! Stvarni radni tlak određuje cijev (debljina stjenke) i kvaliteta cijevi!

Artikli

| Naziv | PB 10.9 (bar) | Veličina | Cijev | A (mm) | B1 (mm) | B2 (mm) | G (mm) | C (mm) | D (mm) | E (mm) | F (mm) | H (mm) | M metr. |
|----------------|------------------|----------|-------------|-----------|------------|------------|-----------|-----------|-----------|-----------|-----------|-----------|---------|
| GFS 80 SRE 20 | 350 | 1/2" | 20 x 3 | 20 | 14,0 | 14 | 35,0 | 38,1 | 54 | 17,5 | 46 | 16,0 | M 8 |
| GFS 80 SRE 22 | 350 | 1/2" | 22 x 3 | 22 | 16,0 | 13 | 35,0 | 38,1 | 54 | 17,5 | 46 | 16,0 | M 8 |
| GFS 100 SRE 25 | 350 | 3/4" | 25 x 3 | 25 | 19,0 | 19 | 36,0 | 47,6 | 65 | 22,2 | 50 | 18,0 | M 10 |
| GFS 100 SRE 28 | 350 | 3/4" | 28 x 3 | 28 | 21,5 | 19 | 36,0 | 47,6 | 65 | 22,2 | 50 | 18,0 | M 10 |
| GFS 102 SRE 30 | 315 | 1" | 30 x 4 | 30 | 22,0 | 22 | 38,0 | 52,4 | 70 | 26,2 | 55 | 18,0 | M 10 |
| GFS 102 SRE 35 | 315 | 1" | 35 x 4 | 35 | 27,0 | 25 | 38,0 | 52,4 | 70 | 26,2 | 55 | 18,0 | M 10 |
| GFS 104 SRE 38 | 250 | 1.1/4" | 38 x 4 | 38 | 30,0 | 30 | 41,0 | 58,7 | 79 | 30,2 | 68 | 21,0 | M 10 |
| GFS 104 SRE 42 | 250 | 1.1/4" | 42 x 3 | 43 | 36,0 | 31 | 41,0 | 58,7 | 79 | 30,2 | 68 | 21,0 | M 10 |
| GFS 106 SRE 38 | 200 | 1.1/2" | 38 x 4 | 38 | 30,0 | 30 | 44,0 | 69,9 | 93 | 35,7 | 78 | 25,0 | M 12 |
| GFS 106 SRE 42 | 200 | 1.1/2" | 42 x 3 | 42 | 36,0 | 36 | 44,0 | 69,9 | 93 | 35,7 | 78 | 25,0 | M 12 |
| GFS 106 SRE 48 | 200 | 1.1/2" | 48,3 x 4,5 | 49 | 38,0 | 38 | 44,0 | 69,9 | 93 | 35,7 | 78 | 25,0 | M 12 |
| GFS 108 SRE 60 | 200 | 2" | 60,3 x 5,6 | 61 | 49,0 | 49 | 45,0 | 77,8 | 102 | 42,9 | 90 | 25,0 | M 12 |
| GFS 110 SRE 76 | 160 | 2.1/2" | 76,1 x 7,1 | 77 | 62,0 | 62 | 50,0 | 88,9 | 114 | 50,8 | 105 | 25,0 | M 12 |
| GFS 112 SRE 76 | 138 | 3" | 76,1 x 7,1 | 77 | 62,0 | 62 | 51,0 | 106,4 | 134 | 61,9 | 125 | 26,0 | M 16 |
| GFS 401 SRE 20 | 400 | 1/2" | 20 x 3 | 20 | 14,0 | 14 | 34,0 | 40,5 | 54 | 18,2 | 46 | 16,0 | M 8 |
| GFS 402 SRE 20 | 400 | 3/4" | 20 x 3 | 20 | 14,0 | 14 | 35,0 | 50,8 | 71 | 23,8 | 55 | 21,0 | M 10 |
| GFS 402 SRE 25 | 400 | 3/4" | 25 x 4 | 25 | 17,0 | 17 | 35,0 | 50,8 | 71 | 23,8 | 55 | 21,0 | M 10 |
| GFS 403 SRE 25 | 400 | 1" | 25 x 4 | 25 | 17,0 | 17 | 42,0 | 57,2 | 81 | 27,8 | 65 | 25,0 | M 12 |
| GFS 403 SRE 30 | 400 | 1" | 30 x 4 | 30 | 22,0 | 22 | 42,0 | 57,2 | 81 | 27,8 | 65 | 25,0 | M 12 |
| GFS 404 SRE 30 | 400 | 1.1/4" | 30 x 4 | 30 | 22,0 | 22 | 44,0 | 66,7 | 95 | 31,8 | 78 | 25,0 | M 14 |
| GFS 404 SRE 38 | 400 | 1.1/4" | 38 x 6 | 38 | 26,0 | 26 | 44,0 | 66,7 | 95 | 31,8 | 78 | 25,0 | M 14 |
| GFS 405 SRE 38 | 400 | 1.1/2" | 38 x 6 | 38 | 26,0 | 26 | 56,0 | 79,4 | 112 | 36,5 | 94 | 28,0 | M 16 |
| GFS 405 SRE 48 | 400 | 1.1/2" | 48,3 x 8 | 49 | 32,0 | 32 | 56,0 | 79,4 | 112 | 36,5 | 94 | 28,0 | M 16 |
| GFS 405 SRE 60 | 400 | 1.1/2" | 60,3 x 10 | 61 | 40,0 | 40 | 56,0 | 79,4 | 112 | 36,5 | 94 | 28,0 | M 16 |
| GFS 406 SRE 60 | 400 | 2" | 60,3 x 10 | 61 | 40,0 | 40 | 65,0 | 96,8 | 134 | 44,5 | 114 | 33,0 | M 20 |
| GFS 406 SRE 76 | 400 | 2" | 76,1 x 12,5 | 76 | 48,0 | 48 | 80,0 | 96,8 | 134 | 44,5 | 114 | 33,0 | M 20 |

PN = nazivni tlak PB = maks. radni tlak