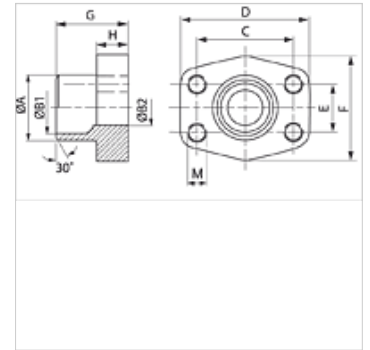
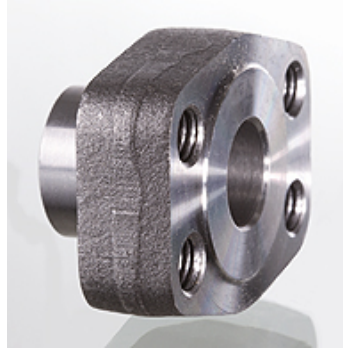


GFS STRE (3000 PSI)

SAE protuprirubnica za navarivanje

Karakteristike

Tlačni niz	3000 psi
Norma	SAE J 518 C ISO 6162
Dodatak kod izvedbe	ND 40
Oblik izrade	ravno
Izvedba	SAE protuprirubnica za navarivanje
Pričvršćenje	Unutarnji navoji za metr. vijke
Materijal	S355J2G3 (ST52.3)
Površinska zaštita	crno nauljeno



Napomena

Navedeni maksimalni radni tlak odnosi se na prirubnicu! Stvarni radni tlak određuje cijev (debljina stjenke) i kvaliteta cijevi!

Artikli

Naziv	PB 10.9 (bar)	Veličina	Cijev	A (mm)	B1 (mm)	B2 (mm)	G (mm)	C (mm)	D (mm)	E (mm)	F (mm)	H (mm)	M metr.
GFS 80 STRE 21.3	350	1/2"	21,3 x 2,6	22,0	16,0	13	35,0	38,1	54	17,5	46	16,0	M 8
GFS 100 STRE 26.9	350	3/4"	26,9 x 2,6	28,0	21,5	19	35,0	47,6	65	22,2	50	18,0	M 10
GFS 102 STRE 33.7	315	1"	33,7 x 3,2	35,0	27,0	25	38,0	52,4	70	26,2	55	18,0	M 10
GFS 104 STRE 42.4	250	1.1/4"	42,4 x 3,2	43,0	36,0	31	41,0	58,7	79	30,2	68	21,0	M 10
GFS 106 STRE 48.3	200	1.1/2"	48,3 x 3,2	49,0	42,0	38	44,0	69,9	93	35,7	78	25,0	M 12
GFS 108 STRE 48.3	200	2"	48,3 x 3,2	49,0	42,0	42	45,0	77,8	102	42,9	90	25,0	M 12
GFS 108 STRE 60.3	200	2"	60,3 x 3,6	61,0	53,0	49	45,0	77,8	102	42,9	90	25,0	M 12
GFS 110 STRE 60.3	160	2.1/2"	60,3 x 3,6	61,0	53,0	53	50,0	88,9	114	50,8	105	25,0	M 12
GFS 110 STRE 76.1	160	2.1/2"	76,1 x 3,6	77,0	70,0	62	50,0	88,9	114	50,8	105	25,0	M 12
GFS 112 STRE 88.9	138	3"	88,9 x 3,6	90,0	82,0	74	51,0	106,4	134	61,9	124	26,0	M 16
GFS 114 STRE 76.1	35	3.1/2"	76,1 x 3,6	77,0	70,0	70	48,0	120,7	152	69,9	136	26,0	M 16
GFS 114 STRE 88.9	35	3.1/2"	88,9 x 3,6	90,0	82,0	82	48,0	120,7	152	69,9	136	26,0	M 16
GFS 116 STRE 114	35	4"	114,3 x 3,6	115,0	107,0	102	48,0	130,2	162	77,8	146	26,0	M 16
GFS 116 STRE 88.9	35	4"	88,9 x 3,6	90,0	82,0	82	48,0	130,2	162	77,8	146	26,0	M 16
GFS 118 STRE 139	35	5"	139,7 x 4	140,2	131,0	120	50,0	152,4	184	92,1	180	28,0	M 16

PN = nazivni tlak PB = maks. radni tlak