

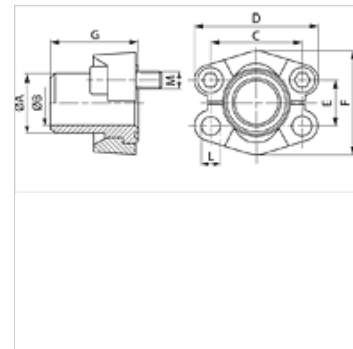
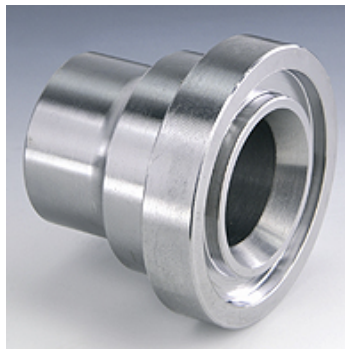
SFS M (6000 PSI)

SAE vijenci za navarivanje

HANSA FLEX

Karakteristike

| | |
|----------------|--------------------------------------------------------|
| Tlačni niz | 6000 psi |
| Norma | SAE J 518 C ISO 6162 |
| Oblik izrade | ravno |
| Izvedba | SAE vijenci za navarivanje |
| Opseg isporuke | s 2 polovice prirubnice, kompletom vijaka i O prstenom |
| Materijal | S355J2G3 (ST52.3) |



Napomena

Navedeni maksimalni radni tlak odnosi se na prirubnicu! Stvarni radni tlak određuje cijev (debljina stjenke) i kvaliteta cijevi!

Artikli

| Naziv | PB 10.9 (bar) | Veličina | Cijev | A (mm) | Ø B (mm) | C (mm) | D (mm) | E (mm) | F (mm) | G (mm) | L (mm) | M metr. | M unc |
|-----------------|------------------|----------|-------------|-----------|-------------|-----------|-----------|-----------|-----------|-----------|-----------|-----------|----------------|
| SFS 6001-16 M | 400 | 1/2" | 16 x 2 | 16,0 | 12,0 | 40,5 | 56 | 18,2 | 47,2 | 34 | 8,5 | M 8 x 30 | 5/16" x 1.1/4" |
| SFS 6001-21.3 M | 400 | 1/2" | 21,3 x 4,5 | 21,3 | 11,9 | 40,5 | 56 | 18,2 | 47,2 | 34 | 8,5 | M 8 x 30 | 5/16" x 1.1/4" |
| SFS 6002-25 M | 400 | 3/4" | 25 x 3,5 | 25,0 | 18,0 | 50,8 | 71 | 23,8 | 60,0 | 38 | 10,5 | M 10 x 35 | 3/8" x 1.1/2" |
| SFS 6002-26.9 M | 400 | 3/4" | 26,9 x 5,6 | 26,9 | 15,7 | 50,8 | 71 | 23,8 | 60,0 | 38 | 10,5 | M 10 x 35 | 3/8" x 1.1/2" |
| SFS 6003-25 M | 400 | 1" | 25 x 3 | 25,0 | 19,0 | 57,2 | 81 | 27,8 | 69,6 | 40 | - | M 12 x 45 | 7/16" x 1.3/4" |
| SFS 6003-30 M | 400 | 1" | 30 x 4 | 30,0 | 22,0 | 57,2 | 81 | 27,8 | 69,6 | 40 | *1 | M 12 x 45 | 7/16" x 1.3/4" |
| SFS 6003-33.7 M | 400 | 1" | 33,7 x 7,1 | 35,0 | 19,0 | 57,2 | 81 | 27,8 | 69,6 | 40 | *1 | M 12 x 45 | 7/16" x 1.3/4" |
| SFS 6003-38 M | 400 | 1" | 38 x 5 | 38,0 | 28,0 | 57,2 | 81 | 27,8 | 69,6 | 40 | *1 | M 12 x 45 | 7/16" x 1.3/4" |
| SFS 6004-30 M | 400 | 1.1/4" | 30 x 4 | 30,0 | 22,0 | 66,7 | 95 | 31,8 | 77,2 | 45 | - | M 14 x 50 | 1/2" x 1.3/4" |
| SFS 6004-38 M | 400 | 1.1/4" | 38 x 5,5 | 38,0 | 27,0 | 66,7 | 95 | 31,8 | 77,2 | 45 | *2 | M 14 x 50 | 1/2" x 1.3/4" |
| SFS 6004-42.4 M | 400 | 1.1/4" | 42,4 x 6,3 | 42,4 | 35,8 | 66,7 | 95 | 31,8 | 77,2 | 45 | - | M 14 x 50 | 1/2" x 1.3/4" |
| SFS 6005-45 M | 400 | 1.1/2" | 45 x 6,5 | 45,0 | 32,0 | 79,4 | 113 | 36,5 | 95,0 | 50 | 16,7 | M 16 x 55 | 5/8" x 2" |
| SFS 6005-48.3 M | 400 | 1.1/2" | 48,3 x 8,8 | 48,3 | 30,7 | 79,4 | 113 | 36,5 | 95,0 | 50 | 16,7 | M 16 x 55 | 5/8" x 2" |
| SFS 6006-60 M | 400 | 2" | 60,3 x 13,4 | 60,3 | 43,5 | 96,8 | 133 | 44,5 | 113,8 | 58 | 21,0 | M 20 x 65 | 3/4" x 2.1/2" |
| SFS 6006-65 M | 400 | 2" | 65 x 8 | 65,0 | 46,0 | 96,8 | 133 | 44,5 | 113,8 | 58 | 21,0 | M 20 x 65 | 3/4" x 2.1/2" |

PN = nazivni tlak PB = maks. radni tlak

*1) = prema odabiru 12,0 ili 12,5 - *2) = prema odabiru 13,5 ili 14,5

Varijante proizvoda

| | |
|------------------|------------------------------------------------------------------------------------|
| SFS (6000 PSI) | SAE vijenci za navarivanje, samo vijenac za predzavarivanje |
| SFS U (6000 PSI) | SAE vijenci za navarivanje, s 2 polovice prirubnice, kompletom vijaka i O prstenom |