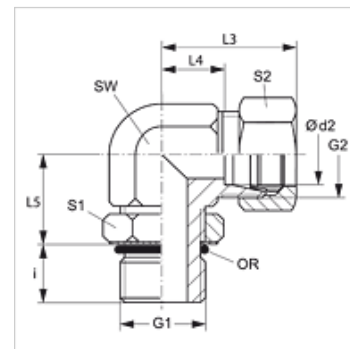


### Karakteristike

<b>Priključak 1</b>	BSP vanjski navoj, cilindrični
<b>Oblik brtve 1</b>	G oblik
<b>Priključak 2</b>	metrički vanjski navoji, cilindrični
<b>Oblik brtve 2</b>	24° unutarnji konus
<b>Izvedba</b>	Uvrtni vijčani spoj, podesiv po smjeru
<b>Oblik izrade</b>	Kutevi 90°
<b>Opseg isporuke</b>	Nastavak s pretornom maticom i narezanim prstenom
<b>Materijal</b>	Čelik
<b>Površinska zaštita</b>	galvanski premaz



### Napomena

Upute za montažu, ugradnju, tlačno opterećenje i dopuštene radne temperature pronaći ćete u tehničkim informacijama za vijčane spojeve cijevi.

### Artikli

Naziv	Seriya	Radni tlak bari	Ø d2 (mm)	G1	G2	i (mm)	L3 (mm)	L4 (mm)	L5 (mm)	SW (mm)	S1	S2	OR
EWOR NW 04 HL	L	PN 250	6	G 1/8" - 28	M 12 x 1,5	8	26,5	12,0	21,5	12	14	14	8,00 x 1,50
EWOR NW 06 HL	L	PN 250	8	G 1/4" - 19	M 14 x 1,5	12	28,5	14,0	26,0	14	19	17	10,77 x 2,62
EWOR NW 06 HL 3/8	L	PN 250	8	G 3/8" - 19	M 14 x 1,5	12	31,5	17,0	28,5	17	22	22	13,94 x 2,62
EWOR NW 08 HL	L	PN 250	10	G 1/4" - 19	M 16 x 1,5	12	29,5	15,0	26,0	14	19	19	10,77 x 2,62
EWOR NW 10 HL	L	PN 250	12	G 3/8" - 19	M 18 x 1,5	12	31,5	17,0	28,5	17	22	22	13,94 x 2,62
EWOR NW 13 HL	L	PN 250	15	G 1/2" - 14	M 22 x 1,5	14	36,0	21,0	33,5	19	27	27	17,86 x 2,62
EWOR NW 16 HL	L	PN 160	18	G 1/2" - 14	M 26 x 1,5	14	39,5	23,5	36,5	24	27	32	17,86 x 2,62
EWOR NW 20 HL	L	PN 160	22	G 3/4" - 14	M 30 x 2	16	43,5	27,5	41,0	27	32	36	23,47 x 2,62
EWOR NW 25 HL	L	PN 100	28	G 1" - 11	M 36 x 2	18	47,0	30,5	45,0	36	41	41	29,74 x 3,53
EWOR NW 32 HL	L	PN 100	35	G 1,1/4" - 11	M 45 x 2	20	56,0	34,5	50,0	41	50	50	37,69 x 3,53
EWOR NW 40 HL	L	PN 100	42	G 1,1/2" - 11	M 52 x 2	22	62,5	40,0	56,0	50	55	60	44,04 x 3,53
EWOR NW 03 HS	S	PN 630	6	G 1/4" - 19	M 14 x 1,5	12	30,5	15,0	26,0	12	19	17	10,77 x 2,62
EWOR NW 04 HS	S	PN 630	8	G 1/4" - 19	M 16 x 1,5	12	31,5	17,0	27,0	14	19	19	10,77 x 2,62
EWOR NW 06 HS	S	PN 630	10	G 3/8" - 19	M 18 x 1,5	12	33,5	17,5	28,5	17	22	22	13,94 x 2,62
EWOR NW 08 HS	S	PN 630	12	G 3/8" - 19	M 20 x 1,5	12	37,5	21,5	32,5	19	22	24	13,94 x 2,62
EWOR NW 10 HS	S	PN 630	14	G 1/2" - 14	M 22 x 1,5	14	39,5	22,0	33,5	19	27	27	17,86 x 2,62
EWOR NW 13 HS	S	PN 400	16	G 1/2" - 14	M 24 x 1,5	14	42,5	24,5	36,5	24	27	30	17,86 x 2,62
EWOR NW 16 HS	S	PN 400	20	G 3/4" - 14	M 30 x 2	16	47,0	26,5	41,0	27	32	36	23,47 x 2,62
EWOR NW 20 HS	S	PN 400	25	G 1" - 11	M 36 x 2	18	54,0	30,0	45,0	36	41	46	29,74 x 3,53
EWOR NW 25 HS	S	PN 250	30	G 1,1/4" - 11	M 42 x 2	20	62,0	35,5	50,0	41	50	50	37,69 x 3,53
EWOR NW 32 HS	S	PN 250	38	G 1,1/2" - 11	M 52 x 2	22	71,5	41,0	56,0	50	55	60	44,04 x 3,53

PN = nazivni tlak PB = maks. radni tlak - Seriya: LL = veoma lagan L = lagan S = težak - Ø d2 = vanjski promjer cijevi

### Varijante proizvoda

**XEWOR** Uvrtni vijčani spoj, kut 90°, Nastavak (bez pretorne matice i narezanog prstena)