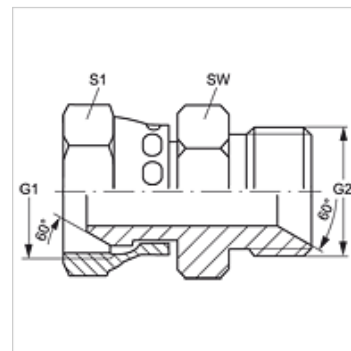


Karakteristike

Priključak 1	BSP navoji matice
Oblik brtve 1	60° vanjski konus
Priključak 2	BSP vanjski navoj, cilindrični
Oblik brtve 2	60° unutarnji konus
Izvedba	Spojnice
Oblik izrade	ravno
Materijal	Čelik
Površinska zaštita	galvanski premaz



Artikli

Naziv	G1	G2	SW (mm)	S1
G AB 02 HB	G 1/8" - 28	G 1/8" - 28	14	14
G AB 02 HB 04	G 1/8" - 28	G 1/4" - 19	19	14
G AB 04 HB 02	G 1/4" - 19	G 1/8" - 28	14	19
G AB 04 HB	G 1/4" - 19	G 1/4" - 19	19	19
G AB 04 HB 06	G 1/4" - 19	G 3/8" - 19	22	19
G AB 04 HB 08	G 1/4" - 19	G 1/2" - 14	27	19
G AB 06 HB 04	G 3/8" - 19	G 1/4" - 19	19	22
G AB 06 HB	G 3/8" - 19	G 3/8" - 19	22	22
G AB 06 HB 08	G 3/8" - 19	G 1/2" - 14	27	22
G AB 06 HB 12	G 3/8" - 19	G 3/4" - 14	32	22
G AB 08 HB 04	G 1/2" - 14	G 1/4" - 19	19	27
G AB 08 HB 06	G 1/2" - 14	G 3/8" - 19	22	27
G AB 08 HB	G 1/2" - 14	G 1/2" - 14	27	27
G AB 08 HB 10	G 1/2" - 14	G 5/8" - 14	30	27
G AB 08 HB 12	G 1/2" - 14	G 3/4" - 14	32	27
G AB 08 HB 16	G 1/2" - 14	G 1" - 11	41	27
G AB 10 HB 06	G 5/8" - 14	G 3/8" - 19	30	30
G AB 10 HB 08	G 5/8" - 14	G 1/2" - 14	27	30
G AB 10 HB	G 5/8" - 14	G 5/8" - 14	30	30
G AB 10 HB 12	G 5/8" - 14	G 3/4" - 14	32	30
G AB 10 HB 16	G 5/8" - 14	G 1" - 11	41	30
G AB 12 HB 06	G 3/4" - 14	G 3/8" - 19	27	32
G AB 12 HB 08	G 3/4" - 14	G 1/2" - 14	27	32
G AB 12 HB 10	G 3/4" - 14	G 5/8" - 14	30	32
G AB 12 HB	G 3/4" - 14	G 3/4" - 14	32	32
G AB 12 HB 16	G 3/4" - 14	G 1" - 11	41	32
G AB 12 HB 20	G 3/4" - 14	G 1,1/4" - 11	50	32
G AB 16 HB 08	G 1" - 11	G 1/2" - 14	32	41
G AB 16 HB 10	G 1" - 11	G 5/8" - 14	32	41
G AB 16 HB 12	G 1" - 11	G 3/4" - 14	32	41
G AB 16 HB	G 1" - 11	G 1" - 11	41	41
G AB 16 HB 20	G 1" - 11	G 1,1/4" - 11	50	41
G AB 20 HB 12	G 1,1/4" - 11	G 3/4" - 14	41	50
G AB 20 HB 16	G 1,1/4" - 11	G 1" - 11	41	50
G AB 20 HB	G 1,1/4" - 11	G 1,1/4" - 11	50	50
G AB 20 HB 24	G 1,1/4" - 11	G 1,1/2" - 11	55	50
G AB 24 HB 20	G 1,1/2" - 11	G 1,1/4" - 11	50	55
G AB 24 HB	G 1,1/2" - 11	G 1,1/2" - 11	55	55
G AB 24 HB 32	G 1,1/2" - 11	G 2" - 11	70	55
G AB 32 HB 24	G 2" - 11	G 1,1/2" - 11	60	70
G AB 32 HB	G 2" - 11	G 2" - 11	70	70

SW, S1, S2 = širina ključa

Varijante proizvoda

G AB HB VA Spojnice, Oplemenjeni čelik