

G AB HB VA

Spojnice

HANSA FLEX

Karakteristike

Priključak 1 BSP navoji matice

Oblik brtve 1 60° vanjski konus

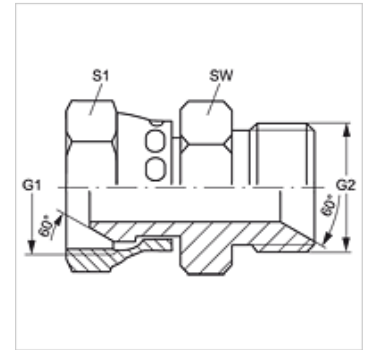
Priključak 2 BSP vanjski navoj, cilindrični

Oblik brtve 2 60° unutarnji konus

Izvedba Spojnice

Oblik izrade ravno

Materijal Oplemenjeni čelik



Artikli

Naziv	G1	G2	SW (mm)	S1
G AB 02 HB VA	G 1/8" - 28	G 1/8" - 28	14	14
G AB 02 HB 04 VA	G 1/8" - 28	G 1/4" - 19	19	19
G AB 04 HB 02 VA	G 1/4" - 19	G 1/8" - 28	19	19
G AB 04 HB VA	G 1/4" - 19	G 1/4" - 19	19	19
G AB 04 HB 06 VA	G 1/4" - 19	G 3/8" - 19	22	19
G AB 04 HB 08 VA	G 1/4" - 19	G 1/2" - 14	27	19
G AB 06 HB 02 VA	G 3/8" - 19	G 1/8" - 28	22	14
G AB 06 HB 04 VA	G 3/8" - 19	G 1/4" - 19	19	22
G AB 06 HB VA	G 3/8" - 19	G 3/8" - 19	22	22
G AB 06 HB 08 VA	G 3/8" - 19	G 1/2" - 14	27	22
G AB 08 HB 04 VA	G 1/2" - 14	G 1/4" - 19	19	27
G AB 08 HB 06 VA	G 1/2" - 14	G 3/8" - 19	22	27
G AB 08 HB VA	G 1/2" - 14	G 1/2" - 14	27	27
G AB 08 HB 12 VA	G 1/2" - 14	G 3/4" - 14	32	27
G AB 12 HB 08 VA	G 3/4" - 14	G 1/2" - 14	27	32
G AB 12 HB VA	G 3/4" - 14	G 3/4" - 14	32	32
G AB 12 HB 16 VA	G 3/4" - 14	G 1" - 11	41	32
G AB 16 HB 12 VA	G 1" - 11	G 3/4" - 14	41	36
G AB 16 HB VA	G 1" - 11	G 1" - 11	41	41
G AB 16 HB 20 VA	G 1" - 11	G 1,1/4" - 11	41	46
G AB 20 HB 16 VA	G 1,1/4" - 11	G 1" - 11	46	41
G AB 20 HB VA	G 1,1/4" - 11	G 1,1/4" - 11	50	50
G AB 24 HB VA	G 1,1/2" - 11	G 1,1/2" - 11	55	55
G AB 32 HB VA	G 2" - 11	G 2" - 11	70	70

SW, S1, S2 = širina kijuča

Varijante proizvoda

G AB HB Spojnice, Čelik