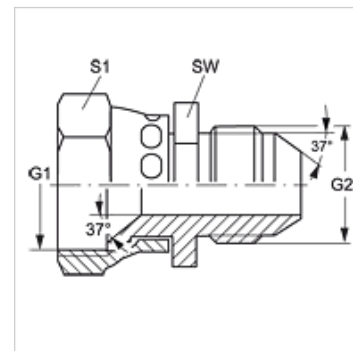


Karakteristike

Priključak 1	UN/UNF navoji matice
Oblik brtve 1	74° unutarnji konus
Priključak 2	UN/UNF vanjski navoji
Oblik brtve 2	74° vanjski konus
Izvedba	Spojnice
Oblik izrade	ravno
Materijal	Čelik
Površinska zaštita	galvanski premaz



Artikli

Naziv	G1	G2	SW (mm)	S1
G AJ 04 HJ	7/16" -20 UNF	7/16" -20 UNF	12	17
G AJ 04 HJ 06	7/16" -20 UNF	9/16" - 18 UNF	17	17
G AJ 05 HJ 04	1/2" -20 UNF	7/16" -20 UNF	14	17
G AJ 05 HJ	1/2" -20 UNF	1/2" -20 UNF	14	17
G AJ 06 HJ 04	9/16" - 18 UNF	7/16" -20 UNF	17	17
G AJ 06 HJ 05	9/16" - 18 UNF	1/2" -20 UNF	17	19
G AJ 06 HJ	9/16" - 18 UNF	9/16" - 18 UNF	17	19
G AJ 06 HJ 08	9/16" - 18 UNF	3/4" - 16 UNF	22	19
G AJ 08 HJ 04	3/4" - 16 UNF	7/16" -20 UNF	19	22
G AJ 08 HJ 05	3/4" - 16 UNF	1/2" -20 UNF	22	22
G AJ 08 HJ 06	3/4" - 16 UNF	9/16" - 18 UNF	19	22
G AJ 08 HJ	3/4" - 16 UNF	3/4" - 16 UNF	22	24
G AJ 08 HJ 10	3/4" - 16 UNF	7/8" - 14 UNF	24	24
G AJ 08 HJ 12	3/4" - 16 UNF	1.1/16" -12 UN	24	24
G AJ 10 HJ 04	7/8" -14 UNF	7/16" -20 UNF	19	27
G AJ 10 HJ 05	7/8" -14 UNF	1/2" -20 UNF	19	27
G AJ 10 HJ 06	7/8" -14 UNF	9/16" - 18 UNF	24	27
G AJ 10 HJ 08	7/8" -14 UNF	3/4" - 16 UNF	22	27
G AJ 10 HJ	7/8" -14 UNF	7/8" - 14 UNF	24	27
G AJ 10 HJ 12	7/8" -14 UNF	1.1/16" -12 UN	28	27
G AJ 12 HJ 04	1.1/16" -12 UN	7/16" -20 UNF	24	32
G AJ 12 HJ 05	1.1/16" -12 UN	1/2" -20 UNF	24	32
G AJ 12 HJ 06	1.1/16" -12 UN	9/16" - 18 UNF	27	32
G AJ 12 HJ 08	1.1/16" -12 UN	3/4" - 16 UNF	29	32
G AJ 12 HJ 10	1.1/16" -12 UN	7/8" - 14 UNF	27	32
G AJ 12 HJ	1.1/16" -12 UN	1.1/16" -12 UN	32	32
G AJ 12 HJ 16	1.1/16" -12 UN	1,5/16" -12 UN	27	32
G AJ 14 HJ 12	1,3/16" -12 UN	1.1/16" -12 UN	32	35
G AJ 16 HJ 08	1,5/16" -12 UN	3/4" - 16 UNF	36	41
G AJ 16 HJ 10	1,5/16" -12 UN	7/8" - 14 UNF	36	41
G AJ 16 HJ 12	1,5/16" -12 UN	1.1/16" -12 UN	36	41
G AJ 16 HJ 14	1,5/16" -12 UN	1,3/16" -12 UN	36	41
G AJ 16 HJ	1,5/16" -12 UN	1,5/16" -12 UN	36	41
G AJ 20 HJ 10	1,5/8" -12 UN	7/8" - 14 UNF	46	50
G AJ 20 HJ 12	1,5/8" -12 UN	1.1/16" -12 UN	41	41
G AJ 20 HJ 14	1,5/8" -12 UN	1,3/16" -12 UN	46	50
G AJ 20 HJ 16	1,5/8" -12 UN	1,5/16" -12 UN	46	50
G AJ 20 HJ	1,5/8" -12 UN	1,5/8" -12 UN	46	50
G AJ 24 HJ 20	1,7/8" -12 UN	1,5/8" -12 UN	50	55
G AJ 24 HJ	1,7/8" -12 UN	1,7/8" -12 UN	50	55
G AJ 32 HJ 24	2,1/2" -12 UN	1,7/8" -12 UN	65	70

SW, S1, S2 = širina ključa

Varijante proizvoda

G AJ HJ VA Spojnice, Oplemenjeni čelik