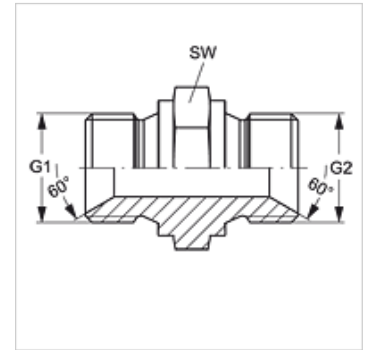


## Karakteristike

|                           |                                 |
|---------------------------|---------------------------------|
| <b>Priključak 1</b>       | BSP vanjski navoj, cilindrični  |
| <b>Oblik brtve 1</b>      | 60° unutarnji konus<br>Profil A |
| <b>Priključak 2</b>       | BSP vanjski navoj, cilindrični  |
| <b>Oblik brtve 2</b>      | 60° unutarnji konus<br>Profil A |
| <b>Izvedba</b>            | Spojni nastavci                 |
| <b>Oblik izrade</b>       | ravno                           |
| <b>Materijal</b>          | Čelik                           |
| <b>Površinska zaštita</b> | galvanski premaz                |



## Artikli

| Naziv         | G1            | G2            | SW<br>(mm) |
|---------------|---------------|---------------|------------|
| G HB 02       | G 1/8" - 28   | G 1/8" - 28   | 14         |
| G HB 02 HB 04 | G 1/8" - 28   | G 1/4" - 19   | 19         |
| G HB 02 HB 06 | G 1/8" - 28   | G 3/8" - 19   | 22         |
| G HB 02 HB 08 | G 1/8" - 28   | G 1/2" - 14   | 27         |
| G HB 04       | G 1/4" - 19   | G 1/4" - 19   | 19         |
| G HB 04 HB 06 | G 1/4" - 19   | G 3/8" - 19   | 22         |
| G HB 04 HB 08 | G 1/4" - 19   | G 1/2" - 14   | 27         |
| G HB 04 HB 10 | G 1/4" - 19   | G 5/8" - 14   | 30         |
| G HB 04 HB 12 | G 1/4" - 19   | G 3/4" - 14   | 32         |
| G HB 04 HB 16 | G 1/4" - 19   | G 1" - 11     | 41         |
| G HB 04 HB 20 | G 1/4" - 19   | G 1,1/4" - 11 | 50         |
| G HB 06       | G 3/8" - 19   | G 3/8" - 19   | 22         |
| G HB 06 HB 08 | G 3/8" - 19   | G 1/2" - 14   | 27         |
| G HB 06 HB 10 | G 3/8" - 19   | G 5/8" - 14   | 32         |
| G HB 06 HB 12 | G 3/8" - 19   | G 3/4" - 14   | 32         |
| G HB 06 HB 16 | G 3/8" - 19   | G 1" - 11     | 41         |
| G HB 06 HB 20 | G 3/8" - 19   | G 1,1/4" - 11 | 50         |
| G HB 08       | G 1/2" - 14   | G 1/2" - 14   | 27         |
| G HB 08 HB 10 | G 1/2" - 14   | G 5/8" - 14   | 30         |
| G HB 08 HB 12 | G 1/2" - 14   | G 3/4" - 14   | 32         |
| G HB 08 HB 16 | G 1/2" - 14   | G 1" - 11     | 41         |
| G HB 08 HB 20 | G 1/2" - 14   | G 1,1/4" - 11 | 50         |
| G HB 08 HB 24 | G 1/2" - 14   | G 1,1/2" - 11 | 55         |
| G HB 08 HB 32 | G 1/2" - 14   | G 2" - 11     | 70         |
| G HB 10       | G 5/8" - 14   | G 5/8" - 14   | 30         |
| G HB 10 HB 12 | G 5/8" - 14   | G 3/4" - 14   | 32         |
| G HB 10 HB 16 | G 5/8" - 14   | G 1" - 11     | 41         |
| G HB 10 HB 20 | G 5/8" - 14   | G 1,1/4" - 11 | 50         |
| G HB 12       | G 3/4" - 14   | G 3/4" - 14   | 32         |
| G HB 12 HB 16 | G 3/4" - 14   | G 1" - 11     | 41         |
| G HB 12 HB 20 | G 3/4" - 14   | G 1,1/4" - 11 | 50         |
| G HB 12 HB 24 | G 3/4" - 14   | G 1,1/2" - 11 | 55         |
| G HB 12 HB 32 | G 3/4" - 14   | G 2" - 11     | 70         |
| G HB 16       | G 1" - 11     | G 1" - 11     | 41         |
| G HB 16 HB 20 | G 1" - 11     | G 1,1/4" - 11 | 50         |
| G HB 16 HB 24 | G 1" - 11     | G 1,1/2" - 11 | 55         |
| G HB 16 HB 32 | G 1" - 11     | G 2" - 11     | 70         |
| G HB 20       | G 1,1/4" - 11 | G 1,1/4" - 11 | 50         |
| G HB 20 HB 24 | G 1,1/4" - 11 | G 1,1/2" - 11 | 55         |
| G HB 20 HB 32 | G 1,1/4" - 11 | G 2" - 11     | 70         |
| G HB 24       | G 1,1/2" - 11 | G 1,1/2" - 11 | 55         |
| G HB 24 HB 32 | G 1,1/2" - 11 | G 2" - 11     | 70         |
| G HB 32       | G 2" - 11     | G 2" - 11     | 70         |
| G HB 40 HB 48 | G 2,1/2" - 11 | G 3" - 11     | 100        |
| G HB 48       | G 3" - 11     | G 3" - 11     | 110        |

SW = širina ključa

## Varijante proizvoda

**G HB VA** Spojni nastavci, Oplemenjeni čelik