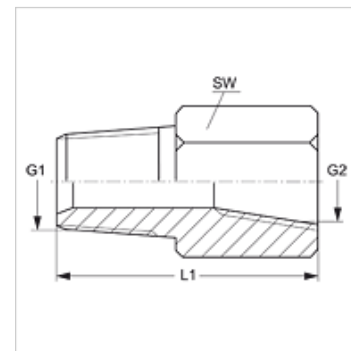


Karakteristike

Priključak 1	NPT vanjski navoji
Oblik brtve 1	brtvljenje navoja
Priključak 2	NPT unutarnji navoj
Oblik brtve 2	brtvljenje navoja
Izvedba	Spojni nastavci
Oblik izrade	ravno
Materijal	Čelik
Površinska zaštita	galvanski premaz



Artikli

Naziv	G1	G2	SW (mm)
G HN 02 IN	1/8" -27 NPT	1/8" -27 NPT	16
G HN 02 IN 04	1/8" -27 NPT	1/4" - 18 NPT	19
G HN 02 IN 06	1/8" -27 NPT	3/8" - 18 NPT	22
G HN 02 IN 08	1/8" -27 NPT	1/2" - 14 NPT	29
G HN 04 IN 02	1/4" - 18 NPT	1/8" -27 NPT	19
G HN 04 IN	1/4" - 18 NPT	1/4" - 18 NPT	19
G HN 04 IN 06	1/4" - 18 NPT	3/8" - 18 NPT	22
G HN 04 IN 08	1/4" - 18 NPT	1/2" - 14 NPT	29
G HN 04 IN 12	1/4" - 18 NPT	3/4" - 14 NPT	35
G HN 06 IN 02	3/8" - 18 NPT	1/8" -27 NPT	22
G HN 06 IN 04	3/8" - 18 NPT	1/4" - 18 NPT	22
G HN 06 IN	3/8" - 18 NPT	3/8" - 18 NPT	22
G HN 06 IN 08	3/8" - 18 NPT	1/2" - 14 NPT	29
G HN 08 IN 02	1/2" - 14 NPT	1/8" -27 NPT	29
G HN 08 IN 04	1/2" - 14 NPT	1/4" - 18 NPT	29
G HN 08 IN 06	1/2" - 14 NPT	3/8" - 18 NPT	29
G HN 08 IN	1/2" - 14 NPT	1/2" - 14 NPT	27
G HN 08 IN 12	1/2" - 14 NPT	3/4" - 14 NPT	35
G HN 08 IN 16	1/2" - 14 NPT	1" -11,5 NPT	41
G HN 12 IN 04	3/4" - 14 NPT	1/4" - 18 NPT	35
G HN 12 IN 06	3/4" - 14 NPT	3/8" - 18 NPT	35
G HN 12 IN 08	3/4" - 14 NPT	1/2" - 14 NPT	35
G HN 12 IN	3/4" - 14 NPT	3/4" - 14 NPT	35
G HN 12 IN 16	3/4" - 14 NPT	1" -11,5 NPT	41
G HN 12 IN 20	3/4" - 14 NPT	1,1/4" - 11,5 NPT	50
G HN 16 IN 04	1" -11,5 NPT	1/4" - 18 NPT	42
G HN 16 IN 06	1" -11,5 NPT	3/8" - 18 NPT	42
G HN 16 IN 08	1" -11,5 NPT	1/2" - 14 NPT	42
G HN 16 IN 12	1" -11,5 NPT	3/4" - 14 NPT	42
G HN 16 IN 20	1" -11,5 NPT	1,1/4" - 11,5 NPT	48
G HN 20 IN 08	1,1/4" - 11,5 NPT	1/2" - 14 NPT	64
G HN 20 IN 12	1,1/4" - 11,5 NPT	3/4" - 14 NPT	46
G HN 20 IN 16	1,1/4" - 11,5 NPT	1" -11,5 NPT	46
G HN 20 IN 24	1,1/4" - 11,5 NPT	1,1/2" - 11,5 NPT	64
G HN 24 IN 16	1,1/2" - 11,5 NPT	1" -11,5 NPT	64
G HN 24 IN 20	1,1/2" - 11,5 NPT	1,1/4" - 11,5 NPT	64
G HN 24 IN 12	1,1/2" - 11,5 NPT	3/4" - 14 NPT	64
G HN 32 IN 16	2" -11,5 NPT	1" -11,5 NPT	64
G HN 32 IN 20	2" -11,5 NPT	1,1/4" - 11,5 NPT	64
G HN 32 IN 24	2" -11,5 NPT	1,1/2" - 11,5 NPT	64

SW = širina ključa

Varijante proizvoda

G HN IN VA Spojni nastavci, Oplemenjeni čelik