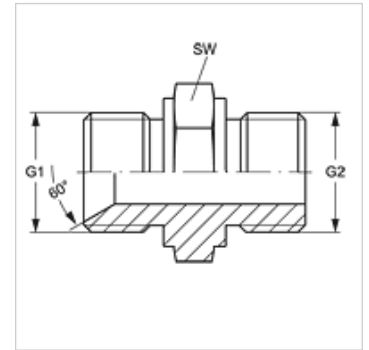


Karakteristike

Priključak 1	BSP vanjski navoj, cilindrični
Oblik brtve 1	60° unutarnji konus
Priključak 2	BSP vanjski navoj, cilindrični
Oblik brtve 2	plosnato brtvljenje
Izvedba	Uvrtni nastavci
Oblik izrade	ravno
Materijal	Čelik
Površinska zaštita	galvanski premaz



Artikli

Naziv	G1	G2	SW (mm)
GE HB 04 HR 02	G 1/4" - 19	G 1/8" - 28	14
GE HB 04 HR	G 1/4" - 19	G 1/4" - 19	19
GE HB 04 HR 06	G 1/4" - 19	G 3/8" - 19	22
GE HB 06 HR 04	G 3/8" - 19	G 1/4" - 19	19
GE HB 06 HR	G 3/8" - 19	G 3/8" - 19	22
GE HB 08 HR 06	G 1/2" - 14	G 3/8" - 19	22
GE HB 08 HR	G 1/2" - 14	G 1/2" - 14	27
GE HB 08 HR 12	G 1/2" - 14	G 3/4" - 14	27
GE HB 10 HR 08	G 5/8" - 14	G 1/2" - 14	27
GE HB 10 HR	G 5/8" - 14	G 5/8" - 14	30
GE HB 10 HR 12	G 5/8" - 14	G 3/4" - 14	32
GE HB 12 HR 08	G 3/4" - 14	G 1/2" - 14	27
GE HB 12 HR 10	G 3/4" - 14	G 5/8" - 14	30
GE HB 12 HR	G 3/4" - 14	G 3/4" - 14	32
GE HB 16 HR 12	G 1" - 11	G 3/4" - 14	36
GE HB 16 HR	G 1" - 11	G 1" - 11	41
GE HB 20 HR 16	G 1,1/4" - 11	G 1" - 11	46
GE HB 20 HR	G 1,1/4" - 11	G 1,1/4" - 11	50
GE HB 24 HR 20	G 1,1/2" - 11	G 1,1/4" - 11	50
GE HB 24 HR	G 1,1/2" - 11	G 1,1/2" - 11	55

SW = širina ključa