

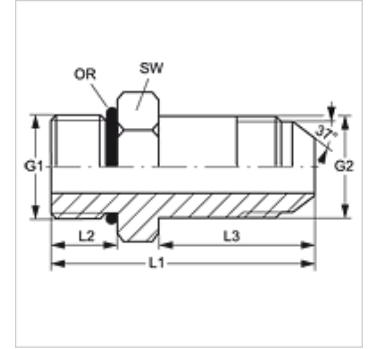
# GE HMO L HJ

Uvrtni nastavci, dugi

**HANSA FLEX**

## Karakteristike

|                    |  |
|--------------------|--|
| Priključak 1       | metrički vanjski navoji, cilindrični   |
| Oblik brtve 1      | O prstenasta brtva na uvrtnom nastavku |
| Priključak 2       | UN/UNF vanjski navoji                  |
| Oblik brtve 2      | 74° vanjski konus                      |
| Izvedba            | Uvrtni nastavci, dugi                  |
| Oblik izrade       | ravno                                  |
| Materijal          | Čelik                                  |
| Površinska zaštita | galvanski premaz                       |



## Artikli

| Naziv             | G1         | G2             | L1<br>(mm) | L2<br>(mm) | L3<br>(mm) | SW<br>(mm) | OR           |
|-------------------|------------|----------------|------------|------------|------------|------------|--------------|
| GE HMO L 10 HJ 04 | M 10 x 1   | 7/16" -20 UNF  | 51,0       | 9,0        | 35         | 15         | 8,00 x 1,50  |
| GE HMO L 10 HJ 05 | M 10 x 1   | 1/2" -20 UNF   | 53,0       | 9,0        | 37         | 15         | 8,00 x 1,50  |
| GE HMO L 12 HJ 05 | M 12 x 1,5 | 1/2" -20 UNF   | 55,5       | 11,0       | 37         | 18         | 9,30 x 2,40  |
| GE HMO L 14 HJ 05 | M 14 x 1,5 | 1/2" -20 UNF   | 56,5       | 11,0       | 37         | 20         | 11,30 x 2,40 |
| GE HMO L 14 HJ 06 | M 14 x 1,5 | 9/16" - 18 UNF | 58,5       | 11,0       | 39         | 20         | 11,30 x 2,40 |
| GE HMO L 16 HJ 06 | M 16 x 1,5 | 9/16" - 18 UNF | 60,0       | 12,5       | 39         | 23         | 13,30 x 2,40 |
| GE HMO L 16 HJ 08 | M 16 x 1,5 | 3/4" - 16 UNF  | 69,0       | 12,5       | 48         | 23         | 13,30 x 2,40 |
| GE HMO L 18 HJ 08 | M 18 x 1,5 | 3/4" - 16 UNF  | 70,5       | 13,5       | 48         | 25         | 15,30 x 2,40 |
| GE HMO L 18 HJ 10 | M 18 x 1,5 | 7/8" - 14 UNF  | 75,5       | 13,5       | 53         | 25         | 15,30 x 2,40 |
| GE HMO L 22 HJ 10 | M 22 x 1,5 | 7/8" - 14 UNF  | 78,0       | 15,0       | 53         | 28         | 19,30 x 2,40 |
| GE HMO L 22 HJ 12 | M 22 x 1,5 | 1.1/16" -12 UN | 89,0       | 15,0       | 63         | 28         | 19,30 x 2,40 |
| GE HMO L 27 HJ 12 | M 27 x 2   | 1.1/16" -12 UN | 92,5       | 18,5       | 63         | 32         | 23,47 x 2,95 |
| GE HMO L 27 HJ 16 | M 27 x 2   | 1,5/16" -12 UN | 102,0      | 18,5       | 72         | 32         | 23,47 x 2,95 |
| GE HMO L 33 HJ 16 | M 33 x 2   | 1,5/16" -12 UN | 102,5      | 18,5       | 72         | 42         | 29,74 x 2,95 |
| GE HMO L 42 HJ 20 | M 42 x 2   | 1,5/8" -12 UN  | 121,0      | 19,0       | 88         | 50         | 38,00 x 3,00 |
| GE HMO L 48 HJ 24 | M 48 x 2   | 1,7/8" -12 UN  | 136,0      | 22,0       | 98         | 56         | 44,04 x 3,00 |

SW = širina ključa