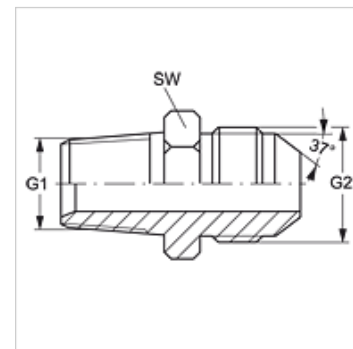


Karakteristike

Priključak 1	NPT vanjski navoji
Oblik brtve 1	brtvljenje navoja
Priključak 2	UN/UNF vanjski navoji
Oblik brtve 2	74° vanjski konus
Izvedba	Uvrtni nastavci
Oblik izrade	ravno
Materijal	Čelik
Površinska zaštita	galvanski premaz



Artikli

Naziv	G1	G2	SW (mm)
GE HN 02 HJ 03	1/8" -27 NPT	3/8" - 24 UNF	12
GE HN 02 HJ 04	1/8" -27 NPT	7/16" -20 UNF	12
GE HN 02 HJ 05	1/8" -27 NPT	1/2" -20 UNF	14
GE HN 02 HJ 06	1/8" -27 NPT	9/16" - 18 UNF	17
GE HN 02 HJ 08	1/8" -27 NPT	3/4" - 16 UNF	19
GE HN 04 HJ	1/4" - 18 NPT	7/16" -20 UNF	14
GE HN 04 HJ 05	1/4" - 18 NPT	1/2" -20 UNF	14
GE HN 04 HJ 06	1/4" - 18 NPT	9/16" - 18 UNF	17
GE HN 04 HJ 08	1/4" - 18 NPT	3/4" - 16 UNF	19
GE HN 06 HJ	3/8" - 18 NPT	9/16" - 18 UNF	19
GE HN 06 HJ 04	3/8" - 18 NPT	7/16" -20 UNF	19
GE HN 06 HJ 05	3/8" - 18 NPT	1/2" -20 UNF	19
GE HN 06 HJ 08	3/8" - 18 NPT	3/4" - 16 UNF	19
GE HN 06 HJ 10	3/8" - 18 NPT	7/8" - 14 UNF	24
GE HN 06 HJ 12	3/8" - 18 NPT	1.1/16" -12 UN	27
GE HN 08 HJ 04	1/2" - 14 NPT	7/16" -20 UNF	24
GE HN 08 HJ 05	1/2" - 14 NPT	1/2" -20 UNF	24
GE HN 08 HJ 06	1/2" - 14 NPT	9/16" - 18 UNF	24
GE HN 08 HJ	1/2" - 14 NPT	3/4" - 16 UNF	24
GE HN 08 HJ 10	1/2" - 14 NPT	7/8" - 14 UNF	24
GE HN 08 HJ 12	1/2" - 14 NPT	1.1/16" -12 UN	27
GE HN 08 HJ 16	1/2" - 14 NPT	1.5/16" -12 UN	36
GE HN 12 HJ 04	3/4" - 14 NPT	7/16" -20 UNF	27
GE HN 12 HJ 06	3/4" - 14 NPT	9/16" - 18 UNF	27
GE HN 12 HJ 08	3/4" - 14 NPT	3/4" - 16 UNF	27
GE HN 12 HJ 10	3/4" - 14 NPT	7/8" - 14 UNF	27
GE HN 12 HJ	3/4" - 14 NPT	1.1/16" -12 UN	27
GE HN 12 HJ 14	3/4" - 14 NPT	1.3/16" -12 UN	32
GE HN 12 HJ 16	3/4" - 14 NPT	1.5/16" -12 UN	36
GE HN 16 HJ	1" -11,5 NPT	1.5/16" -12 UN	36
GE HN 16 HJ 12	1" -11,5 NPT	1.1/16" -12 UN	36
GE HN 16 HJ 20	1" -11,5 NPT	1.5/8" -12 UN	46
GE HN 16 HJ 24	1" -11,5 NPT	1.7/8" -12 UN	50
GE HN 20 HJ 12	1.1/4" - 11,5 NPT	1.1/16" -12 UN	46
GE HN 20 HJ 16	1.1/4" - 11,5 NPT	1.5/16" -12 UN	46
GE HN 20 HJ	1.1/4" - 11,5 NPT	1.5/8" -12 UN	46
GE HN 20 HJ 24	1.1/4" - 11,5 NPT	1.7/8" -12 UN	50
GE HN 20 HJ 32	1.1/4" - 11,5 NPT	2.1/2" -12 UN	65
GE HN 24 HJ 12	1.1/2" - 11,5 NPT	1.1/16" -12 UN	50
GE HN 24 HJ 16	1.1/2" - 11,5 NPT	1.5/16" -12 UN	50
GE HN 24 HJ 20	1.1/2" - 11,5 NPT	1.5/8" -12 UN	50
GE HN 24 HJ	1.1/2" - 11,5 NPT	1.7/8" -12 UN	50
GE HN 24 HJ 32	1.1/2" - 11,5 NPT	2.1/2" -12 UN	65
GE HN 32 HJ 24	2" -11,5 NPT	1.7/8" -12 UN	65
GE HN 32 HJ	2" -11,5 NPT	2.1/2" -12 UN	65

SW = širina ključa

Varijante proizvoda

GE HN HJ VA	Uvrtni nastavci, Oplemenjeni čelik
-------------	------------------------------------