

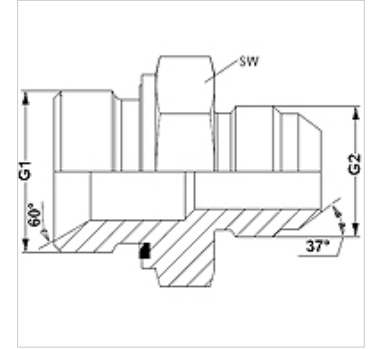
GE HRED HJ

Uvrtni nastavci

HANSA FLEX

Karakteristike

Priključak 1	BSP vanjski navoj, cilindrični
Oblik brtve 1	Profil E
Priključak 2	UN/UNF vanjski navoji
Oblik brtve 2	74° vanjski konus
Izvedba	Uvrtni nastavci
Oblik izrade	ravno
Materijal	Čelik
Površinska zaštita	galvanski premaz



Artikli

Naziv	G1	G2	SW (mm)
GE HRED 02 HJ 04	G 1/8" - 28	7/16" -20 UNF	14
GE HRED 02 HJ 05	G 1/8" - 28	1/2" -20 UNF	14
GE HRED 02 HJ 06	G 1/8" - 28	9/16" - 18 UNF	19
GE HRED 04 HJ	G 1/4" - 19	7/16" -20 UNF	19
GE HRED 04 HJ 05	G 1/4" - 19	1/2" -20 UNF	19
GE HRED 04 HJ 06	G 1/4" - 19	9/16" - 18 UNF	19
GE HRED 04 HJ 08	G 1/4" - 19	3/4" - 16 UNF	19
GE HRED 06 HJ 04	G 3/8" - 19	7/16" -20 UNF	22
GE HRED 06 HJ 05	G 3/8" - 19	1/2" -20 UNF	22
GE HRED 06 HJ	G 3/8" - 19	9/16" - 18 UNF	22
GE HRED 06 HJ 08	G 3/8" - 19	3/4" - 16 UNF	22
GE HRED 06 HJ 10	G 3/8" - 19	7/8" - 14 UNF	24
GE HRED 06 HJ 12	G 3/8" - 19	1.1/16" -12 UN	27
GE HRED 08 HJ 04	G 1/2" -14	7/16" -20 UNF	27
GE HRED 08 HJ 06	G 1/2" -14	9/16" - 18 UNF	27
GE HRED 08 HJ	G 1/2" -14	3/4" - 16 UNF	27
GE HRED 08 HJ 10	G 1/2" -14	7/8" - 14 UNF	27
GE HRED 08 HJ 12	G 1/2" -14	1.1/16" -12 UN	27
GE HRED 12 HJ 08	G 3/4" -14	3/4" - 16 UNF	32
GE HRED 12 HJ 10	G 3/4" -14	7/8" - 14 UNF	32
GE HRED 12 HJ	G 3/4" -14	1.1/16" -12 UN	32
GE HRED 12 HJ 16	G 3/4" -14	1,5/16" -12 UN	36
GE HRED 16 HJ 12	G 1" -11	1.1/16" -12 UN	41
GE HRED 16 HJ	G 1" -11	1,5/16" -12 UN	41
GE HRED 16 HJ 20	G 1" -11	1,5/8" -12 UN	46
GE HRED 16 HJ 24	G 1" -11	1,7/8" -12 UN	50
GE HRED 20 HJ 16	G 1,1/4" - 11	1,5/16" -12 UN	50
GE HRED 20 HJ	G 1,1/4" - 11	1,5/8" -12 UN	50
GE HRED 20 HJ 24	G 1,1/4" - 11	1,7/8" -12 UN	50
GE HRED 24 HJ 20	G 1,1/2" - 11	1,5/8" -12 UN	55
GE HRED 24 HJ	G 1,1/2" - 11	1,7/8" -12 UN	55

SW = širina ključa

Varijante proizvoda

GE HRED HJ VA Uvrtni nastavci, Oplemenjeni čelik

Rezervni dijelovi

WD Meka brtva za ED vijčane spojeve