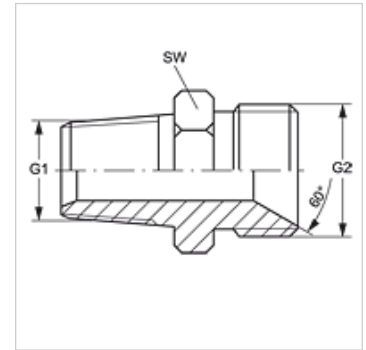


Karakteristike

Priključak 1	BSP vanjski navoj, konusni
Oblik brtve 1	brtvljenje navoja
Priključak 2	BSP vanjski navoj, cilindrični
Oblik brtve 2	60° unutarnji konus
Izvedba	Uvrtni nastavci
Oblik izrade	ravno
Materijal	Čelik
Površinska zaštita	galvanski premaz



Artikli

Naziv	G1	G2	SW (mm)
GE HRK 02 HB	R 1/8" K	G 1/8" - 28	14
GE HRK 02 HB 04	R 1/8" K	G 1/4" - 19	14
GE HRK 02 HB 06	R 1/8" K	G 3/8" - 19	19
GE HRK 04 HB 02	R 1/4" K	G 1/8" - 28	14
GE HRK 04 HB	R 1/4" K	G 1/4" - 19	19
GE HRK 04 HB 06	R 1/4" K	G 3/8" - 19	22
GE HRK 04 HB 08	R 1/4" K	G 1/2" - 14	27
GE HRK 04 HB 12	R 1/4" K	G 3/4" - 14	32
GE HRK 06 HB 02	R 3/8" K	G 1/8" - 28	19
GE HRK 06 HB 04	R 3/8" K	G 1/4" - 19	19
GE HRK 06 HB	R 3/8" K	G 3/8" - 19	22
GE HRK 06 HB 08	R 3/8" K	G 1/2" - 14	22
GE HRK 06 HB 10	R 3/8" K	G 5/8" - 14	30
GE HRK 06 HB 12	R 3/8" K	G 3/4" - 14	32
GE HRK 08 HB 04	R 1/2" K	G 1/4" - 19	22
GE HRK 08 HB 06	R 1/2" K	G 3/8" - 19	22
GE HRK 08 HB	R 1/2" K	G 1/2" - 14	27
GE HRK 08 HB 10	R 1/2" K	G 5/8" - 14	30
GE HRK 08 HB 12	R 1/2" K	G 3/4" - 14	32
GE HRK 08 HB 16	R 1/2" K	G 1" - 11	41
GE HRK 10 HB 08	R 5/8" K	G 1/2" - 14	30
GE HRK 10 HB	R 5/8" K	G 5/8" - 14	30
GE HRK 10 HB 12	R 5/8" K	G 3/4" - 14	32
GE HRK 12 HB 04	R 3/4" K	G 1/4" - 19	30
GE HRK 12 HB 06	R 3/4" K	G 3/8" - 19	30
GE HRK 12 HB 08	R 3/4" K	G 1/2" - 14	30
GE HRK 12 HB 10	R 3/4" K	G 5/8" - 14	30
GE HRK 12 HB	R 3/4" K	G 3/4" - 14	27
GE HRK 12 HB 16	R 3/4" K	G 1" - 11	36
GE HRK 12 HB 20	R 3/4" K	G 1,1/4" - 11	50
GE HRK 16 HB 06	R 1" K	G 3/8" - 19	36
GE HRK 16 HB 08	R 1" K	G 1/2" - 14	36
GE HRK 16 HB 12	R 1" K	G 3/4" - 14	36
GE HRK 16 HB	R 1" K	G 1" - 11	36
GE HRK 16 HB 20	R 1" K	G 1,1/4" - 11	50
GE HRK 16 HB 24	R 1" K	G 1,1/2" - 11	55
GE HRK 20 HB 12	R 1,1/4" K	G 3/4" - 14	50
GE HRK 20 HB 16	R 1,1/4" K	G 1" - 11	50
GE HRK 20 HB	R 1,1/4" K	G 1,1/4" - 11	50
GE HRK 20 HB 24	R 1,1/4" K	G 1,1/2" - 11	55
GE HRK 20 HB 32	R 1,1/4" K	G 2" - 11	60
GE HRK 24 HB 16	R 1,1/2" K	G 1" - 11	55
GE HRK 24 HB 20	R 1,1/2" K	G 1,1/4" - 11	55
GE HRK 24 HB	R 1,1/2" K	G 1,1/2" - 11	55
GE HRK 24 HB 32	R 1,1/2" K	G 2" - 11	60
GE HRK 32 HB 16	R 2" K	G 1" - 11	65
GE HRK 32 HB 20	R 2" K	G 1,1/4" - 11	65
GE HRK 32 HB 24	R 2" K	G 1,1/2" - 11	65
GE HRK 32 HB	R 2" K	G 2" - 11	65
GE HRK 40 HB	R 2,1/2" K	G 2,1/2" - 11	70



Varijante proizvoda

GE HRK HB VA Uvrtni nastavci, Oplemenjeni čelik