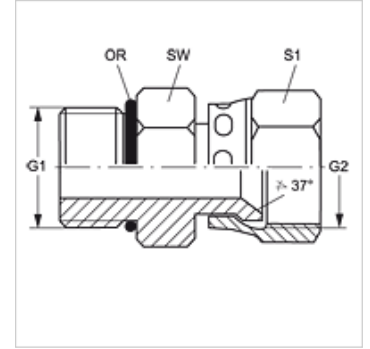


Karakteristike

Priključak 1	BSP vanjski navoj, cilindrični
Oblik brtve 1	G oblik
Priključak 2	UN/UNF navoji matice
Oblik brtve 2	74° unutarnji konus
Izvedba	Uvrtni nastavci
Oblik izrade	ravno
Materijal	Čelik
Površinska zaštita	galvanski premaz



Artikli

Naziv	G1	G2	SW (mm)	S1	OR
GE HRO 02 AJ 04	G 1/8" - 28	7/16" -20 UNF	16	16	8,00 x 2,00
GE HRO 04 AJ	G 1/4" - 19	7/16" -20 UNF	20	16	10,77 x 2,62
GE HRO 04 AJ 05	G 1/4" - 19	1/2" -20 UNF	20	17	10,77 x 2,62
GE HRO 04 AJ 08	G 1/4" - 19	3/4" - 16 UNF	20	22	10,77 x 2,62
GE HRO 06 AJ 04	G 3/8" - 19	7/16" -20 UNF	24	16	13,94 x 2,62
GE HRO 06 AJ 05	G 3/8" - 19	1/2" -20 UNF	24	17	13,94 x 2,62
GE HRO 06 AJ	G 3/8" - 19	9/16" - 18 UNF	24	19	13,94 x 2,62
GE HRO 06 AJ 08	G 3/8" - 19	3/4" - 16 UNF	24	22	13,94 x 2,62
GE HRO 06 AJ 10	G 3/8" - 19	7/8" - 14 UNF	24	27	13,94 x 2,62
GE HRO 08 AJ 06	G 1/2" -14	9/16" - 18 UNF	28	19	17,86 x 2,62
GE HRO 08 AJ	G 1/2" -14	3/4" - 16 UNF	28	22	17,86 x 2,62
GE HRO 08 AJ 10	G 1/2" -14	7/8" - 14 UNF	28	27	17,86 x 2,62
GE HRO 08 AJ 12	G 1/2" -14	1.1/16" -12 UN	28	32	17,86 x 2,62
GE HRO 12 AJ 10	G 3/4" -14	7/8" - 14 UNF	35	27	23,47 x 2,62
GE HRO 12 AJ 16	G 3/4" -14	1,5/16" -12 UN	35	38	23,47 x 2,62
GE HRO 16 AJ 12	G 1" -11	1.1/16" -12 UN	43	32	29,74 x 3,53
GE HRO 16 AJ 20	G 1" -11	1,5/8" -12 UN	43	50	29,74 x 3,53
GE HRO 20 AJ 16	G 1,1/4" - 11	1,5/16" -12 UN	52	38	37,69 x 3,53
GE HRO 20 AJ 24	G 1,1/4" - 11	1,7/8" -12 UN	52	58	37,69 x 3,53

SW, S1, S2 = širina klijuča