

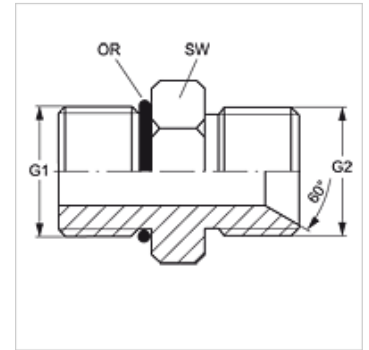
# GE HRO HB

Uvrtni nastavci

**HANSA FLEX**

## Karakteristike

Priključak 1	BSP vanjski navoj, cilindrični
Oblik brtve 1	G oblik
Priključak 2	BSP vanjski navoj, cilindrični
Oblik brtve 2	60° unutarnji konus
Izvedba	Uvrtni nastavci
Oblik izrade	ravno
Materijal	Čelik
Površinska zaštita	galvanski premaz



## Artikli

Naziv	G1	G2	SW (mm)	OR
GE HRO 02 HB	G 1/8" - 28	G 1/8" - 28	20	7,65 x 1,78
GE HRO 04 HB 02	G 1/4" - 19	G 1/8" - 28	20	10,78 x 2,62
GE HRO 04 HB	G 1/4" - 19	G 1/4" - 19	20	10,78 x 2,62
GE HRO 04 HB 06	G 1/4" - 19	G 3/8" - 19	24	10,78 x 2,62
GE HRO 06 HB 04	G 3/8" - 19	G 1/4" - 19	24	13,94 x 2,62
GE HRO 06 HB	G 3/8" - 19	G 3/8" - 19	24	13,94 x 2,62
GE HRO 06 HB 08	G 3/8" - 19	G 1/2" - 14	29	13,94 x 2,62
GE HRO 08 HB 06	G 1/2" - 14	G 3/8" - 19	29	17,86 x 2,62
GE HRO 08 HB	G 1/2" - 14	G 1/2" - 14	28	17,86 x 2,62
GE HRO 08 HB 10	G 1/2" - 14	G 5/8" - 14	29	17,86 x 2,62
GE HRO 08 HB 12	G 1/2" - 14	G 3/4" - 14	29	17,86 x 2,62
GE HRO 12 HB 08	G 3/4" - 14	G 1/2" - 14	35	23,47 x 2,62
GE HRO 12 HB	G 3/4" - 14	G 3/4" - 14	35	23,47 x 2,62
GE HRO 12 HB 16	G 3/4" - 14	G 1" - 11	43	23,47 x 2,62
GE HRO 16 HB 12	G 1" - 11	G 3/4" - 14	43	29,74 x 3,53
GE HRO 16 HB	G 1" - 11	G 1" - 11	43	29,74 x 3,53
GE HRO 20 HB 16	G 1,1/4" - 11	G 1" - 11	53	37,69 x 3,53
GE HRO 20 HB	G 1,1/4" - 11	G 1,1/4" - 11	53	37,69 x 3,53
GE HRO 24 HB	G 1,1/2" - 11	G 1,1/2" - 11	58	44,04 x 3,53

SW = širina ključa