

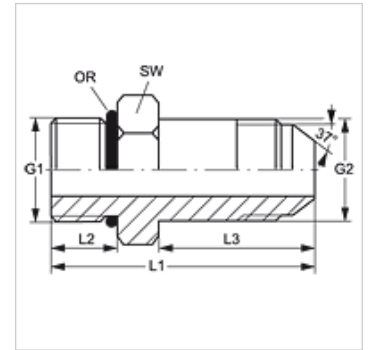
GE HRO L HJ

Uvrtni nastavci, dugi

HANSA FLEX

Karakteristike

Priključak 1	BSP vanjski navoj, cilindrični
Oblik brtve 1	G oblik
Priključak 2	UN/UNF vanjski navoji
Oblik brtve 2	74° vanjski konus
Izvedba	Uvrtni nastavci, dugi
Oblik izrade	ravno
Materijal	Čelik
Površinska zaštita	galvanski premaz



Artikli

Naziv	G1	G2	L1 (mm)	L2 (mm)	L3 (mm)	SW (mm)	OR
GE HRO L 02 HJ 04	G 1/8" - 28	7/16" -20 UNF	50,0	8	35	16	7,65 x 1,78
GE HRO L 04 HJ	G 1/4" - 19	7/16" -20 UNF	55,5	12	35	20	10,78 x 2,62
GE HRO L 04 HJ 05	G 1/4" - 19	1/2" -20 UNF	57,5	12	37	20	10,78 x 2,62
GE HRO L 04 HJ 06	G 1/4" - 19	9/16" - 18 UNF	59,5	12	39	20	10,78 x 2,62
GE HRO L 04 HJ 08	G 1/4" - 19	3/4" - 16 UNF	68,5	12	48	20	10,78 x 2,62
GE HRO L 06 HJ	G 3/8" - 19	9/16" - 18 UNF	59,5	12	39	24	13,94 x 2,62
GE HRO L 06 HJ 05	G 3/8" - 19	1/2" -20 UNF	57,5	12	37	24	13,94 x 2,62
GE HRO L 06 HJ 08	G 3/8" - 19	3/4" - 16 UNF	68,5	12	48	24	13,94 x 2,62
GE HRO L 06 HJ 10	G 3/8" - 19	7/8" - 14 UNF	74,0	12	53	24	13,94 x 2,62
GE HRO L 08 HJ	G 1/2" -14	3/4" - 16 UNF	72,0	14	48	28	17,86 x 2,62
GE HRO L 08 HJ 06	G 1/2" -14	9/16" - 18 UNF	63,0	14	39	28	17,86 x 2,62
GE HRO L 08 HJ 10	G 1/2" -14	7/8" - 14 UNF	77,0	14	53	28	17,86 x 2,62
GE HRO L 08 HJ 12	G 1/2" -14	1.1/16" -12 UN	88,0	14	63	28	17,86 x 2,62
GE HRO L 12 HJ	G 3/4" -14	1.1/16" -12 UN	91,0	16	63	35	23,47 x 2,62
GE HRO L 12 HJ 10	G 3/4" -14	7/8" - 14 UNF	81,0	16	53	35	23,47 x 2,62
GE HRO L 12 HJ 16	G 3/4" -14	1,5/16" -12 UN	100,0	16	72	35	23,47 x 2,62
GE HRO L 16 HJ	G 1" -11	1,5/16" -12 UN	102,0	18	72	43	29,74 x 3,53
GE HRO L 16 HJ 12	G 1" -11	1.1/16" -12 UN	93,5	18	63	43	29,74 x 3,53
GE HRO L 16 HJ 20	G 1" -11	1,5/8" -12 UN	119,0	18	88	43	29,74 x 3,53
GE HRO L 20 HJ	G 1,1/4" - 11	1,5/8" -12 UN	119,0	18	88	52	37,69 x 3,53
GE HRO L 20 HJ 16	G 1,1/4" - 11	1,5/16" -12 UN	106,0	20	72	52	37,69 x 3,53
GE HRO L 20 HJ 24	G 1,1/4" - 11	1,7/8" -12 UN	132,0	20	98	52	37,69 x 3,53
GE HRO L 24 HJ	G 1,1/2" - 11	1,7/8" -12 UN	136,0	22	98	58	44,04 x 3,53

SW = širina ključa