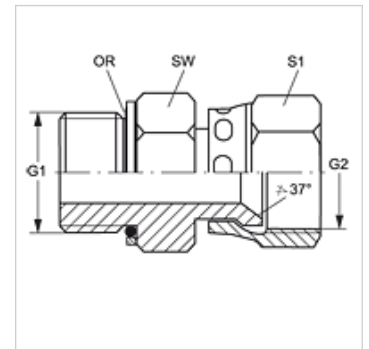


# GE HROK AJ

## Uvrtni nastavci

### Karakteristike

|                    |  |
|--------------------|--|
| Priključak 1       | BSP vanjski navoj, cilindrični                 |
| Oblik brtve 1      | Navojni nastavak s O prstenom + komorni prsten |
| Priključak 2       | UN/UNF navoji matice                           |
| Oblik brtve 2      | 74° unutarnji konus                            |
| Izvedba            | Uvrtni nastavci                                |
| Oblik izrade       | ravno  |
| Materijal          | Čelik  |
| Površinska zaštita | galvanski premaz                               |



### Artikli

| Naziv            | Radni tlak bari | G1            | G2             | SW (mm) | S1 | OR           |
|------------------|-----------------|---------------|----------------|---------|----|--------------|
| GE HROK 02 AJ 04 | PN 315          | G 1/8" - 28   | 7/16" -20 UNF  | 16      | 14 | 7,97 x 1,88  |
| GE HROK 02 AJ 05 | PN 315          | G 1/8" - 28   | 1/2" -20 UNF   | 16      | 17 | 7,97 x 1,88  |
| GE HROK 04 AJ    | PN 315          | G 1/4" - 19   | 7/16" -20 UNF  | 19      | 14 | 10,77 x 2,62 |
| GE HROK 04 AJ 05 | PN 315          | G 1/4" - 19   | 1/2" -20 UNF   | 19      | 17 | 10,77 x 2,62 |
| GE HROK 04 AJ 06 | PN 250          | G 1/4" - 19   | 9/16" - 18 UNF | 19      | 19 | 10,77 x 2,62 |
| GE HROK 04 AJ 08 | PN 250          | G 1/4" - 19   | 3/4" - 16 UNF  | 19      | 22 | 10,77 x 2,62 |
| GE HROK 06 AJ 04 | PN 315          | G 3/8" - 19   | 7/16" -20 UNF  | 22      | 14 | 13,94 x 2,62 |
| GE HROK 06 AJ 05 | PN 315          | G 3/8" - 19   | 1/2" -20 UNF   | 22      | 17 | 13,94 x 2,62 |
| GE HROK 06 AJ    | PN 250          | G 3/8" - 19   | 9/16" - 18 UNF | 22      | 19 | 13,94 x 2,62 |
| GE HROK 06 AJ 08 | PN 250          | G 3/8" - 19   | 3/4" - 16 UNF  | 22      | 22 | 13,94 x 2,62 |
| GE HROK 06 AJ 10 | PN 200          | G 3/8" - 19   | 7/8" - 14 UNF  | 22      | 27 | 13,94 x 2,62 |
| GE HROK 08 AJ 06 | PN 250          | G 1/2" -14    | 9/16" - 18 UNF | 30      | 19 | 17,86 x 2,62 |
| GE HROK 08 AJ    | PN 250          | G 1/2" -14    | 3/4" - 16 UNF  | 30      | 22 | 17,86 x 2,62 |
| GE HROK 08 AJ 10 | PN 200          | G 1/2" -14    | 7/8" - 14 UNF  | 30      | 27 | 17,86 x 2,62 |
| GE HROK 08 AJ 12 | PN 200          | G 1/2" -14    | 1.1/16" -12 UN | 30      | 32 | 17,86 x 2,62 |
| GE HROK 12 AJ 10 | PN 200          | G 3/4" -14    | 7/8" - 14 UNF  | 36      | 27 | 23,47 x 2,62 |
| GE HROK 12 AJ    | PN 200          | G 3/4" -14    | 1.1/16" -12 UN | 36      | 32 | 23,47 x 2,62 |
| GE HROK 12 AJ 16 | PN 160          | G 3/4" -14    | 1,5/16" -12 UN | 36      | 41 | 23,47 x 2,62 |
| GE HROK 16 AJ 12 | PN 200          | G 1" -11      | 1.1/16" -12 UN | 46      | 32 | 29,74 x 3,53 |
| GE HROK 16 AJ    | PN 160          | G 1" -11      | 1,5/16" -12 UN | 46      | 41 | 29,74 x 3,53 |
| GE HROK 16 AJ 20 | PN 125          | G 1" -11      | 1,5/8" -12 UN  | 46      | 50 | 29,74 x 3,53 |
| GE HROK 20 AJ 16 | PN 160          | G 1,1/4" - 11 | 1,5/16" -12 UN | 50      | 41 | 37,69 x 3,53 |
| GE HROK 20 AJ    | PN 125          | G 1,1/4" - 11 | 1,5/8" -12 UN  | 50      | 50 | 37,69 x 3,53 |
| GE HROK 20 AJ 24 | PN 100          | G 1,1/4" - 11 | 1,7/8" -12 UN  | 50      | 60 | 37,69 x 3,53 |
| GE HROK 24 AJ    | PN 100          | G 1,1/2" - 11 | 1,7/8" -12 UN  | 55      | 60 | 44,04 x 3,53 |

SW, S1, S2 = širina klijuča

### Rezervni dijelovi

**KAMMRING G** Komorni prsten, colni