

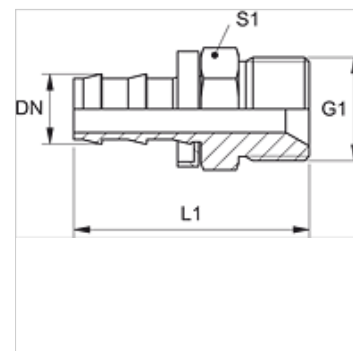
ND HB

Utična nazuvica, AGR

HANSA FLEX

Karakteristike

Priključak 1	BSP vanjski navoj, cilindrični
Oblik brtve 1	60° unutarnji konus
Kratika	AGR
Norma	ISO 8434-6 BS 5200
Materijal	Čelik
Površinska zaštita	galvanski premaz



Napomena

Neoštećene nazuvice možete upotrijebiti ponovno.

Artikl

Naziv	DN	Veličina	Col	G1	L1 (mm)	S1
ND 06 HB 02	6	4	1/4"	G 1/8" - 28	36,0	17
ND 06 HB	6	4	1/4"	G 1/4" - 19	41,0	19
ND 10 HB 06	10	6	3/8"	G 1/4" - 19	44,0	19
ND 10 HB	10	6	3/8"	G 3/8" - 19	45,0	22
ND 13 HB	12	8	1/2"	G 1/2" - 14	53,0	27
ND 16 HB 13	16	10	5/8"	G 1/2" - 14	-	-
ND 16 HB	16	10	5/8"	G 5/8" - 14	65,0	30
ND 20 HB	19	12	3/4"	G 3/4" - 14	65,0	32

Pribor

ND ASR GE, RO, BL Granični prsten za utičnu nazuvicu