

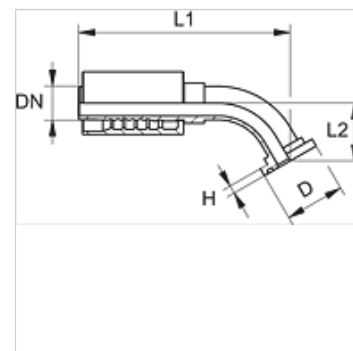
# PA 500 SF9 45 A

Pritisna armatura, SFS-CAT W45°

**HANSA FLEX**

## Karakteristike

<b>Područje primjene</b>	Pritisna armatura za crijeva HD 500
<b>Priključak 1</b>	SAE spoj priрубnice 6000 PSI
<b>Oblik brtve 1</b>	brtvljenje površina sa SF-O-prstenom
<b>Kratika</b>	SFS-CAT
<b>prikladno za</b>	Caterpillar
<b>Povezivanje</b>	s osiguračem od izvlačenja (Interlock)
<b>Opseg isporuke</b>	Pritisna nazuvica + pritisni podnožak
<b>Materijal</b>	Čelik
<b>Površinska zaštita</b>	galvanski premaz



## Artikli

Naziv	DN	Veličina	Col	Veličina priрубnice	D (mm)	H (mm)	L1 (mm)	L2 (mm)
PA 720 SF9 45	19	12	3/4"	3/4"	41,3	14,2	139,0	34,0
PA 720 SF9 25 45	19	12	3/4"	1"	47,6	14,2	143,0	37,5
PA 725 SF9 20 45	25	16	1"	3/4"	41,3	14,2	157,0	35,0
PA 725 SF9 45	25	16	1"	1"	47,6	14,2	167,0	36,5
PA 725 SF9 32 45	25	16	1"	1.1/4"	54,0	14,2	172,0	41,5
PA 532 SF9 25 45 A	31	20	1.1/4"	1"	47,6	14,0	174,0	39,5
PA 532 SF9 45 A	31	20	1.1/4"	1.1/4"	54,0	14,0	194,0	44,5
PA 532 SF9 40 45 A	31	20	1.1/4"	1.1/2"	63,5	14,0	198,0	48,5
PA 540 SF9 32 45 A	38	24	1.1/2"	1.1/4"	54,0	14,0	205,5	47,0
PA 540 SF9 45 A	38	24	1.1/2"	1.1/2"	63,5	14,0	226,0	51,0