

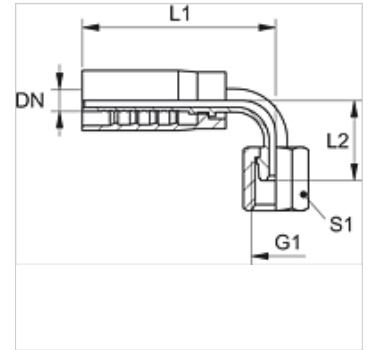
PAY 300 AF 90

Pritisna armatura, DKF W90°

HANSA FLEX

Karakteristike

Priključak 1	metrički navoji matice
Oblik brtve 1	24° vanjski konus za colnu cijev francuske serije.
Kratika	DKF
Opseg isporuke	Pritisna nazuvica + pritisni podnožak
Materijal	Čelik
Površinska zaštita	galvanski premaz



Artikli

Naziv	DN	Veličina	Col	G1	za vanjski Ø cijevi	L1 (mm)	L2 (mm)	S1
PAY 306 AF 10 90	6	4	1/4"	M 20 x 1,5	13,25	60,0	31,0	24
PAY 308 AF 10 90	8	5	5/16"	M 20 x 1,5	13,25	67,0	35,0	24
PAY 308 AF 13 90	8	5	5/16"	M 24 x 1,5	16,75	67,0	35,0	30
PAY 310 AF 90	10	6	3/8"	M 20 x 1,5	13,25	77,0	40,0	24
PAY 310 AF 13 90	10	6	3/8"	M 24 x 1,5	16,75	77,0	41,0	30
PAY 313 AF 16 90	12	8	1/2"	M 30 x 1,5	21,26	85,0	49,0	36
PAY 313 AF 90	12	8	1/2"	M 24 x 1,5	16,75	85,0	45,0	30
PAY 316 AF 90	16	10	5/8"	M 30 x 1,5	21,26	102,0	54,0	36
PAY 320 AF 90	19	12	3/4"	M 36 x 1,5	26,75	108,0	67,0	42
PAY 325 AF 90	25	16	1"	M 45 x 1,5	33,50	116,0	74,0	55