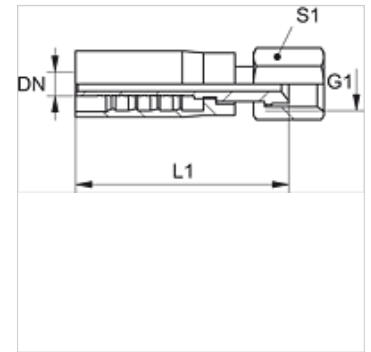


PAY 300 AJ

Pritisna armatura, DKJ

Karakteristike

| | |
|---------------------------|---------------------------------------|
| Priključak 1 | UN/UNF navoji matice |
| Oblik brtve 1 | 74° unutarnji konus |
| Kratika | DKJ |
| Norma | ISO 8434- 2 |
| Opseg isporuke | Pritisna nazuvica + pritisni podnožak |
| Materijal | Čelik |
| Površinska zaštita | galvanski premaz |



Artikli

| Naziv | DN | Veličina | Col | G1 | L1 (mm) | S1 |
|---------------|----|----------|--------|----------------|---------|----|
| PAY 306 AJ | 6 | 4 | 1/4" | 7/16" -20 UNF | - | - |
| PAY 306 AJ 08 | 6 | 4 | 1/4" | 1/2" -20 UNF | 55,0 | 19 |
| PAY 310 AJ | 10 | 6 | 3/8" | 9/16" - 18 UNF | 59,0 | 22 |
| PAY 310 AJ 13 | 10 | 6 | 3/8" | 3/4" - 16 UNF | 59,0 | 24 |
| PAY 313 AJ | 12 | 8 | 1/2" | 3/4" - 16 UNF | 64,0 | 27 |
| PAY 313 AJ 16 | 12 | 8 | 1/2" | 7/8" -14 UNF | 62,0 | 27 |
| PAY 316 AJ | 16 | 10 | 5/8" | 7/8" -14 UNF | 73,0 | 27 |
| PAY 320 AJ | 19 | 12 | 3/4" | 1.1/16" -12 UN | 79,0 | 36 |
| PAY 325 AJ | 25 | 16 | 1" | 1,5/16" -12 UN | 77,0 | 41 |
| PAY 325 AJ 32 | 25 | 16 | 1" | 1,5/8" -12 UN | 75,0 | 50 |
| PAY 332 AJ | 31 | 20 | 1.1/4" | 1,5/8" -12 UN | - | - |