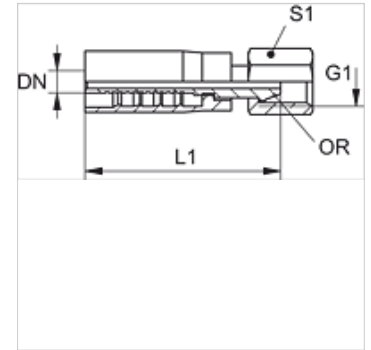


PAY 300 AN

Pritisna armatura, DKN

Karakteristike

Priključak 1	NPT navoji matice (NPSM)
Oblik brtve 1	60° vanjski konus
Kratika	DKN
Norma	ANSI B 1.20.0
Opseg isporuke	Pritisna nazuvica + pritisni podnožak
Materijal	Čelik
Površinska zaštita	galvanski premaz



Artikli

Naziv	DN	Veličina	Col	G1	L1 (mm)	S1
PAY 306 AN	6	4	1/4"	1/4" - 18 NPT	47,0	19
PAY 308 AN 10	8	5	5/16"	3/8" - 18 NPT	48,0	22
PAY 310 AN	10	6	3/8"	3/8" - 18 NPT	50,0	22
PAY 313 AN	12	8	1/2"	1/2" - 14 NPT	50,0	27
PAY 316 AN 20	16	10	5/8"	3/4" - 14 NPT	53,0	32
PAY 320 AN	19	12	3/4"	3/4" - 14 NPT	59,0	32
PAY 325 AN	25	16	1"	1" - 11,5 NPT	-	-