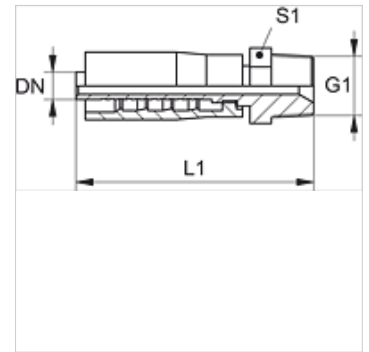


## Karakteristike

<b>Priključak 1</b>	NPT vanjski navoji
<b>Oblik brtve 1</b>	brtvljenje navoja, dodatni unutrašnji konus od 60°
<b>Kratice</b>	AGN
<b>Opseg isporuke</b>	Pritisna nazuvica + pritisni podnožak
<b>Materijal</b>	Čelik
<b>Površinska zaštita</b>	galvanski premaz



## Artikli

Naziv	DN	Veličina	Col	G1	L1 (mm)	S1
PAY 306 HN	6	4	1/4"	1/4" - 18 NPT	65,0	14
PAY 306 HN 10	6	4	1/4"	3/8" - 18 NPT	-	-
PAY 310 HN	10	6	3/8"	3/8" - 18 NPT	71,0	19
PAY 310 HN 13	10	6	3/8"	1/2" - 14 NPT	76,0	22
PAY 313 HN	12	8	1/2"	1/2" - 14 NPT	79,0	22
PAY 320 HN	19	12	3/4"	3/4" - 14 NPT	91,0	27
PAY 325 HN	25	16	1"	1" - 11,5 NPT	96,0	36
PAY 325 HN 32	25	16	1"	1,1/4" - 11,5 NPT	97,0	46