

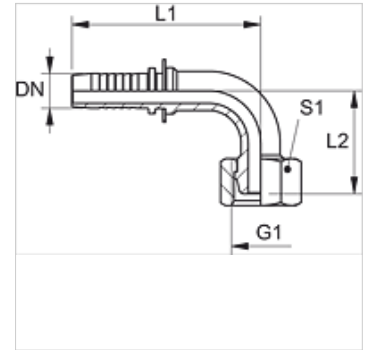
# PN A 90

Pritisna nazuvica, DKM W90°

**HANSA FLEX**

## Karakteristike

Područje primjene	Pritisna nazuvica za HD 100- do HD 400-, KP-, TE crijeva
Priključak 1	metrički navoji matice
Oblik brtve 1	60° brtvena glava
Kratica	DKM
Norma	DIN 3863
Materijal	Čelik
Površinska zaštita	galvanski premaz



## Napomena

Odgovarajući podnožak molimo da odaberete prema tipu crijeva.

## Artikli

Naziv	DN	Veličina	Col	Radni tlak (bar)	G1	L1 (mm)	L2 (mm)	S1
PN 20 A 90	19	12	3/4"	63,0	M 30 x 1,5	109,0	61,0	36
PN 25 A 90	25	16	1"	63,0	M 38 x 1,5	125,0	71,0	46
PN 25 A 32 90	25	16	1"	63,0	M 45 x 1,5	125,0	74,0	50
PN 32 A 90	31	20	1.1/4"	63,0	M 45 x 1,5	144,0	83,0	50
PN 40 A 90	38	24	1.1/2"	63,0	M 52 x 1,5	159,0	94,0	60
PN 50 A 90	51	32	2"	40,0	M 65 x 2	199,0	118,0	75

## Varijante proizvoda

PN A 90 VA Pritisna nazuvica, DKM W90°, Oplemenjeni čelik