

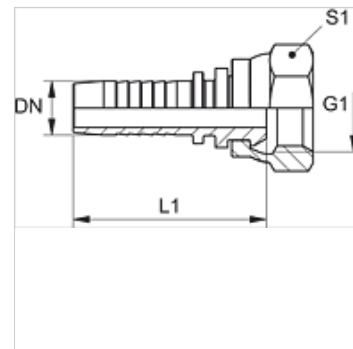
PN AB

Pritisna nazuvica, DKR

HANSA FLEX

Karakteristike

Područje primjene	Pritisna nazuvica za HD 100- do HD 400-, KP-, TE cijeva
Priključak 1	BSP navoji matice
Oblik brtve 1	60° vanjski konus
Kratica	DKR
Norma	ISO 8434-6 BS 5200
Materijal	Čelik
Površinska zaštita	galvanski premaz



Napomena

Odgovarajući podnožak molimo da odaberete prema tipu cijeva.

Artikli

Naziv	DN	Veličina	Col	Radni tlak (bar)	G1	L1 (mm)	S1
PN 04 AB	5	3	3/16"	350,0	G 1/8" - 28	37,0	14
PN 04 AB 06	5	3	3/16"	400,0	G 1/4" - 19	37,5	19
PN 06 AB 02	6	4	1/4"	350,0	G 1/8" - 28	43,0	14
PN 06 AB	6	4	1/4"	400,0	G 1/4" - 19	44,5	19
PN 06 AB 10	6	4	1/4"	400,0	G 3/8" - 19	46,5	22
PN 08 AB 06	8	5	5/16"	400,0	G 1/4" - 19	45,0	19
PN 08 AB 10	8	5	5/16"	400,0	G 3/8" - 19	47,0	22
PN 08 AB 13	8	5	5/16"	350,0	G 1/2" - 14	48,5	27
PN 10 AB 06	10	6	3/8"	400,0	G 1/4" - 19	46,5	19
PN 10 AB	10	6	3/8"	400,0	G 3/8" - 19	48,0	22
PN 10 AB 13	10	6	3/8"	350,0	G 1/2" - 14	49,5	27
PN 13 AB 10	12	8	1/2"	350,0	G 3/8" - 19	48,0	22
PN 13 AB	12	8	1/2"	350,0	G 1/2" - 14	50,5	27
PN 13 AB 16	12	8	1/2"	350,0	G 5/8" - 14	49,5	30
PN 13 AB 20	12	8	1/2"	315,0	G 3/4" - 14	52,0	32
PN 16 AB 13	16	10	5/8"	350,0	G 1/2" - 14	55,0	27
PN 16 AB	16	10	5/8"	350,0	G 5/8" - 14	54,0	30
PN 16 AB 20	16	10	5/8"	315,0	G 3/4" - 14	57,0	32
PN 16 AB 25	16	10	5/8"	250,0	G 1" - 11	62,0	38
PN 20 AB 13	19	12	3/4"	315,0	G 1/2" - 14	62,0	27
PN 20 AB 16	19	12	3/4"	315,0	G 5/8" - 14	61,0	30
PN 20 AB	19	12	3/4"	315,0	G 3/4" - 14	64,0	32
PN 20 AB 25	19	12	3/4"	250,0	G 1" - 11	67,0	38
PN 25 AB	25	16	1"	250,0	G 1" - 11	75,0	38
PN 25 AB 32	25	16	1"	250,0	G 1,1/4" - 11	80,5	50
PN 32 AB	31	20	1.1/4"	250,0	G 1,1/4" - 11	88,0	50
PN 40 AB	38	24	1.1/2"	210,0	G 1,1/2" - 11	92,0	55
PN 50 AB	51	32	2"	210,0	G 2" - 11	110,5	70

Varijante proizvoda

PN AB VA Pritisna nazuvica, DKR, Oplemenjeni čelik