

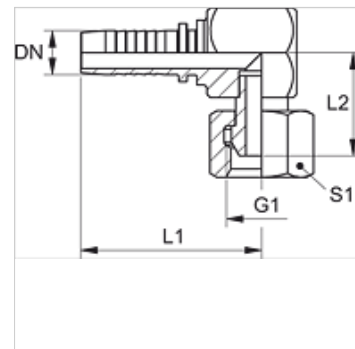
PN ABK 90

Pritisna nazuvica, DKR Komp. W90°

HANSA FLEX

Karakteristike

Područje primjene	Pritisna nazuvica za HD 100- do HD 400-, KP-, TE crijeva
Priključak 1	BSP navoji matice
Oblik brtve 1	60° vanjski konus
Dodatak kod izvedbe	Kompaktni oblik
Kratice	DKR
Norma	BS 5200
Materijal	Čelik
Površinska zaštita	galvanski premaz



Napomena

Odgovarajući podnožak molimo da odaberete prema tipu crijeva.

Artikli

Naziv	DN	Veličina	Col	Radni tlak (bar)	G1	L1 (mm)	L2 (mm)	S1
PN 04 ABK 90	5	3	3/16"	350,0	G 1/8" - 28	47,0	17,0	14
PN 06 ABK 90	6	4	1/4"	400,0	G 1/4" - 19	50,0	20,0	19
PN 06 ABK 10 90	6	4	1/4"	400,0	G 3/8" - 19	53,5	23,0	22
PN 08 ABK 10 90	8	5	5/16"	400,0	G 3/8" - 19	54,0	23,0	22
PN 10 ABK 06 90	10	6	3/8"	400,0	G 1/4" - 19	52,0	20,0	19
PN 10 ABK 90	10	6	3/8"	400,0	G 3/8" - 19	55,5	23,0	22
PN 10 ABK 13 90	10	6	3/8"	350,0	G 1/2" - 14	57,6	26,0	27
PN 13 ABK 90	12	8	1/2"	350,0	G 1/2" - 14	59,6	26,0	27
PN 16 ABK 90	16	10	5/8"	350,0	G 5/8" - 14	64,1	27,0	30
PN 20 ABK 90	19	12	3/4"	315,0	G 3/4" - 14	74,8	32,0	32
PN 25 ABK 90	25	16	1"	250,0	G 1" - 11	92,2	36,0	38