

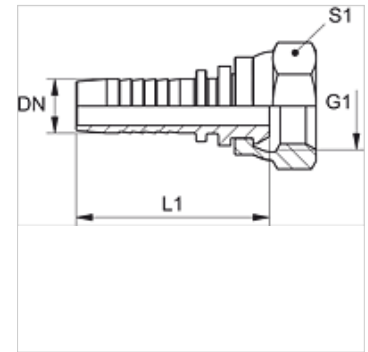
# PN AFL

Pritisna nazuvica, DKL

**HANSA FLEX**

## Karakteristike

Područje primjene	Pritisna nazuvica za HD 100- do HD 400-, KP-, TE cijeva
Priključak 1	metrički navoji matice
Oblik brtve 1	24°/60° Universal sealing head
Kratice	DKL
Serijska	lagana
Materijal	Čelik
Površinska zaštita	galvanski premaz



## Napomena

Odgovarajući podnožak molimo da odaberete prema tipu cijeva.

## Artikli

Naziv	DN	Veličina	Col	Radni tlak (bar)	G1	za vanjski Ø cijevi (mm)	L1 (mm)	S1
PN 04 AFL	5	3	3/16"	250,0	M 12 x 1,5	6	41,2	14
PN 06 AFL 04	6	4	1/4"	250,0	M 12 x 1,5	6	45,0	14
PN 06 AFL	6	4	1/4"	250,0	M 14 x 1,5	8	47,0	17
PN 06 AFL 08	6	4	1/4"	250,0	M 16 x 1,5	10	47,5	19
PN 06 AFL 10	6	4	1/4"	250,0	M 18 x 1,5	12	48,5	22
PN 08 AFL	8	5	5/16"	250,0	M 16 x 1,5	10	47,5	19
PN 08 AFL 10	8	5	5/16"	250,0	M 18 x 1,5	12	48,5	22
PN 10 AFL 06	10	6	3/8"	250,0	M 14 x 1,5	8	49,5	17
PN 10 AFL 08	10	6	3/8"	250,0	M 16 x 1,5	10	49,0	19
PN 10 AFL	10	6	3/8"	250,0	M 18 x 1,5	12	50,0	22
PN 10 AFL 13	10	6	3/8"	250,0	M 22 x 1,5	15	50,5	27
PN 13 AFL	12	8	1/2"	250,0	M 22 x 1,5	15	51,5	27
PN 13 AFL 16	12	8	1/2"	160,0	M 26 x 1,5	18	54,0	32
PN 16 AFL 13	16	10	5/8"	160,0	M 22 x 1,5	15	56,0	27
PN 16 AFL	16	10	5/8"	160,0	M 26 x 1,5	18	58,5	32
PN 20 AFL	19	12	3/4"	160,0	M 30 x 2	22	66,0	36
PN 20 AFL 25	19	12	3/4"	100,0	M 36 x 2	28	67,0	41
PN 25 AFL	25	16	1"	100,0	M 36 x 2	28	75,0	41
PN 32 AFL	31	20	1.1/4"	100,0	M 45 x 2	35	88,0	50
PN 40 AFL	38	24	1.1/2"	100,0	M 52 x 2	42	92,5	60

## Varijante proizvoda

PN AFL VA Pritisna nazuvica, DKL, Oplemenjeni čelik