

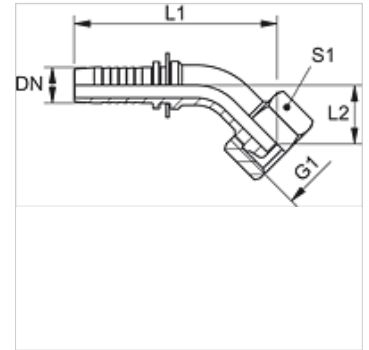
# PN AFL 45

Pritisna nazuvica, DKL W45°

**HANSA FLEX**

## Karakteristike

Područje primjene	Pritisna nazuvica za HD 100- do HD 400-, KP-, TE cijeva
Priključak 1	metrički navoji matice
Oblik brtve 1	24°/60° Universal sealing head
Kratica	DKL
Serijska	lagana
Materijal	Čelik
Površinska zaštita	galvanski premaz



## Napomena

Odgovarajući podnožak molimo da odaberete prema tipu cijeva.

## Artikli

Naziv	DN	Veličina	Col	Radni tlak (bar)	G1	za vanjski Ø cijevi (mm)	L1 (mm)	L2 (mm)	S1
PN 04 AFL 45	5	3	3/16"	250,0	M 12 x 1,5	6	56,0	15,0	14
PN 06 AFL 04 45	6	4	1/4"	250,0	M 12 x 1,5	6	62,0	17,0	14
PN 06 AFL 45	6	4	1/4"	250,0	M 14 x 1,5	8	62,5	14,5	17
PN 06 AFL 08 45	6	4	1/4"	250,0	M 16 x 1,5	10	63,0	15,5	19
PN 06 AFL 10 45	6	4	1/4"	250,0	M 18 x 1,5	12	65,0	15,5	22
PN 08 AFL 45	8	5	5/16"	250,0	M 16 x 1,5	10	64,5	15,0	19
PN 08 AFL 10 45	8	5	5/16"	250,0	M 18 x 1,5	12	65,0	15,5	22
PN 10 AFL 08 45	10	6	3/8"	250,0	M 16 x 1,5	10	72,5	19,5	19
PN 10 AFL 45	10	6	3/8"	250,0	M 18 x 1,5	12	71,0	18,0	22
PN 10 AFL 13 45	10	6	3/8"	250,0	M 22 x 1,5	15	71,5	18,5	27
PN 13 AFL 45	12	8	1/2"	250,0	M 22 x 1,5	15	79,5	18,5	27
PN 13 AFL 16 45	12	8	1/2"	160,0	M 26 x 1,5	18	90,5	24,0	32
PN 16 AFL 45	16	10	5/8"	160,0	M 26 x 1,5	18	95,0	24,0	32
PN 20 AFL 45	19	12	3/4"	160,0	M 30 x 2	22	106,0	27,0	36
PN 20 AFL 25 45	19	12	3/4"	100,0	M 36 x 2	28	124,0	29,5	41
PN 25 AFL 45	25	16	1"	100,0	M 36 x 2	28	132,0	29,5	41
PN 32 AFL 45	31	20	1.1/4"	100,0	M 45 x 2	35	159,0	38,5	50
PN 40 AFL 45	38	24	1.1/2"	100,0	M 52 x 2	42	181,5	42,5	60

## Varijante proizvoda

PN AFL 45 VA Pritisna nazuvica, DKL W45°, Oplemenjeni čelik