

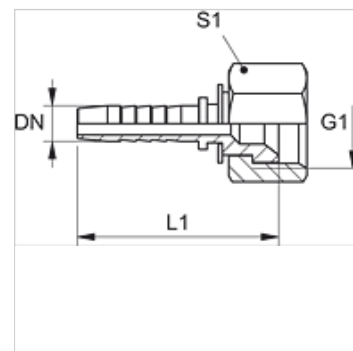
PN AJ

Pritisna nazuvica, DKJ

HANSA FLEX

Karakteristike

Područje primjene	Pritisna nazuvica za HD 100- do HD 400-, KP-, TE crijeva
Priključak 1	UN/UNF navoji matice
Oblik brtve 1	74° unutarnji konus
Kratice	DKJ
Norma	ISO 8434- 2
Materijal	Čelik
Površinska zaštita	galvanski premaz



Napomena

Odgovarajući podnožak molimo da odaberete prema tipu crijeva.

Artikli

Naziv	DN	Veličina	Col	Radni tlak (bar)	G1	L1 (mm)	S1
PN 04 AJ 06	5	3	3/16"	410,0	7/16" -20 UNF	36,0	14
PN 06 AJ	6	4	1/4"	410,0	7/16" -20 UNF	42,0	14
PN 06 AJ 08	6	4	1/4"	410,0	1/2" -20 UNF	43,0	17
PN 06 AJ 10	6	4	1/4"	350,0	9/16" - 18 UNF	44,5	19
PN 06 AJ 3/8	6	4	1/4"	410,0	3/8" - 24 UNF	43,5	14
PN 08 AJ	8	5	5/16"	410,0	1/2" -20 UNF	43,0	17
PN 08 AJ 10	8	5	5/16"	350,0	9/16" - 18 UNF	45,0	19
PN 08 AJ 13	8	5	5/16"	345,0	3/4" - 16 UNF	46,5	24
PN 10 AJ 08	10	6	3/8"	350,0	1/2" -20 UNF	47,0	17
PN 10 AJ	10	6	3/8"	350,0	9/16" - 18 UNF	46,0	19
PN 10 AJ 13	10	6	3/8"	345,0	3/4" - 16 UNF	48,5	24
PN 10 AJ 16	10	6	3/8"	345,0	7/8" -14 UNF	49,5	27
PN 13 AJ	12	8	1/2"	345,0	3/4" - 16 UNF	48,0	24
PN 13 AJ 10	12	8	1/2"	345,0	9/16" - 18 UNF	49,0	19
PN 13 AJ 16	12	8	1/2"	345,0	7/8" -14 UNF	50,5	27
PN 13 AJ 20	12	8	1/2"	345,0	1.1/16" -12 UN	51,0	32
PN 16 AJ	16	10	5/8"	345,0	7/8" -14 UNF	53,5	27
PN 16 AJ 20	16	10	5/8"	345,0	1.1/16" -12 UN	56,0	32
PN 20 AJ 14	19	12	3/4"	345,0	1,3/16" -12 UN	64,0	36
PN 20 AJ 16	19	12	3/4"	345,0	7/8" -14 UNF	62,5	27
PN 20 AJ	19	12	3/4"	345,0	1.1/16" -12 UN	63,0	32
PN 20 AJ 25	19	12	3/4"	275,0	1,5/16" -12 UN	64,0	41
PN 25 AJ 20	25	16	1"	275,0	1.1/16" -12 UN	71,0	32
PN 25 AJ	25	16	1"	275,0	1,5/16" -12 UN	72,0	41
PN 25 AJ 32	25	16	1"	200,0	1,5/8" -12 UN	74,0	50
PN 32 AJ 25	31	20	1.1/4"	200,0	1,5/16" -12 UN	83,5	41
PN 32 AJ	31	20	1.1/4"	200,0	1,5/8" -12 UN	82,0	50
PN 32 AJ 40	31	20	1.1/4"	170,0	1,7/8" -12 UN	84,0	60
PN 40 AJ 32	38	24	1.1/2"	170,0	1,5/8" -12 UN	88,0	50
PN 40 AJ	38	24	1.1/2"	170,0	1,7/8" -12 UN	87,5	60
PN 50 AJ	51	32	2"	170,0	2,1/2" -12 UN	108,0	75

Varijante proizvoda

PN AJ VA Pritisna nazuvica, DKJ, Oplemenjeni čelik