

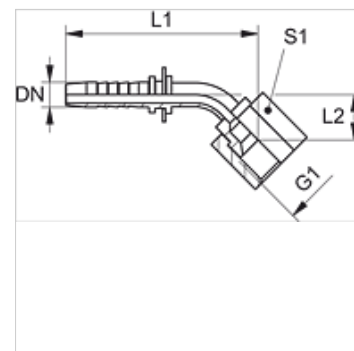
# PN AJ 45

Pritisna nazuvica, DKJ W45°

**HANSA FLEX**

## Karakteristike

|                    |  |
|--------------------|--|
| Područje primjene  | Pritisna nazuvica za HD 100- do HD 400-, KP-, TE crijeva |
| Priključak 1       | UN/UNF navoji matice                                     |
| Oblik brtve 1      | 74° unutarnji konus                                      |
| Kratica            | DKJ  |
| Norma              | ISO 8434- 2  |
| Materijal          | Čelik  |
| Površinska zaštita | galvanski premaz   |



## Napomena

Odgovarajući podnožak molimo da odaberete prema tipu crijeva.

## Artikli

| Naziv          | DN | Veličina | Col    | Radni tlak (bar) | G1             | L1 (mm) | L2 (mm) | S1 |
|----------------|----|----------|--------|------------------|----------------|---------|---------|----|
| PN 04 AJ 06 45 | 5  | 3        | 3/16"  | 410,0            | 7/16" -20 UNF  | 54,5    | 12,5    | 14 |
| PN 06 AJ 45    | 6  | 4        | 1/4"   | 410,0            | 7/16" -20 UNF  | 61,5    | 14,0    | 14 |
| PN 06 AJ 08 45 | 6  | 4        | 1/4"   | 410,0            | 1/2" -20 UNF   | 62,0    | 13,5    | 17 |
| PN 06 AJ 10 45 | 6  | 4        | 1/4"   | 350,0            | 9/16" - 18 UNF | 62,5    | 14,0    | 19 |
| PN 08 AJ 45    | 8  | 5        | 5/16"  | 410,0            | 1/2" -20 UNF   | 68,5    | 18,5    | 17 |
| PN 08 AJ 10 45 | 8  | 5        | 5/16"  | 350,0            | 9/16" - 18 UNF | 64,0    | 15,0    | 19 |
| PN 10 AJ 08 45 | 10 | 6        | 3/8"   | 350,0            | 1/2" -20 UNF   | 73,0    | 18,5    | 17 |
| PN 10 AJ 45    | 10 | 6        | 3/8"   | 350,0            | 9/16" - 18 UNF | 70,5    | 17,5    | 19 |
| PN 10 AJ 13 45 | 10 | 6        | 3/8"   | 345,0            | 3/4" - 16 UNF  | 72,0    | 19,0    | 24 |
| PN 10 AJ 16 45 | 10 | 6        | 3/8"   | 345,0            | 7/8" -14 UNF   | 72,5    | 19,5    | 27 |
| PN 13 AJ 45    | 12 | 8        | 1/2"   | 345,0            | 3/4" - 16 UNF  | 80,5    | 20,5    | 24 |
| PN 13 AJ 16 45 | 12 | 8        | 1/2"   | 345,0            | 7/8" -14 UNF   | 81,5    | 21,5    | 27 |
| PN 13 AJ 20 45 | 12 | 8        | 1/2"   | 345,0            | 1.1/16" -12 UN | 82,5    | 22,5    | 32 |
| PN 16 AJ 14 45 | 16 | 10       | 5/8"   | 345,0            | 1,3/16" -12 UN | 93,5    | 30,0    | 36 |
| PN 16 AJ 45    | 16 | 10       | 5/8"   | 345,0            | 7/8" -14 UNF   | 96,5    | 25,5    | 27 |
| PN 16 AJ 20 45 | 16 | 10       | 5/8"   | 345,0            | 1.1/16" -12 UN | 97,0    | 26,0    | 32 |
| PN 20 AJ 14 45 | 19 | 12       | 3/4"   | 345,0            | 1,3/16" -12 UN | 108,5   | 29,0    | 36 |
| PN 20 AJ 45    | 19 | 12       | 3/4"   | 345,0            | 1.1/16" -12 UN | 108,0   | 28,5    | 32 |
| PN 20 AJ 25 45 | 19 | 12       | 3/4"   | 275,0            | 1,5/16" -12 UN | 108,5   | 29,0    | 41 |
| PN 25 AJ 14 45 | 25 | 16       | 1"     | 275,0            | 1,3/16" -12 UN | 117,5   | 32,5    | 36 |
| PN 25 AJ 45    | 25 | 16       | 1"     | 275,0            | 1,5/16" -12 UN | 134,5   | 32,5    | 41 |
| PN 25 AJ 32 45 | 25 | 16       | 1"     | 200,0            | 1,5/8" -12 UN  | 135,5   | 34,0    | 50 |
| PN 32 AJ 45    | 31 | 20       | 1.1/4" | 200,0            | 1,5/8" -12 UN  | 161,0   | 41,0    | 50 |
| PN 32 AJ 40 45 | 31 | 20       | 1.1/4" | 170,0            | 1,7/8" -12 UN  | 162,0   | 42,0    | 60 |
| PN 40 AJ 45    | 38 | 24       | 1.1/2" | 170,0            | 1,7/8" -12 UN  | 184,5   | 46,5    | 60 |
| PN 50 AJ 45    | 51 | 32       | 2"     | 170,0            | 2,1/2" -12 UN  | 231,0   | 67,0    | 75 |

## Varijante proizvoda

PN AJ 45 VA Pritisna nazuvica, DKJ W45°, Oplemenjeni čelik