

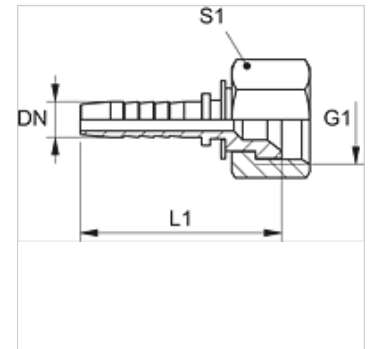
PN ALI

Pritisna nazuvica, JIS

HANSA FLEX

Karakteristike

Područje primjene	Pritisna nazuvica za HD 100- do HD 400-, KP-, TE crijeva
Priključak 1	metrički navoji matice
Oblik brtve 1	60° unutarnji konus
Norma	JIS 8363
prikladno za	Komatsu
Materijal	Čelik
Površinska zaštita	galvanski premaz



Napomena

Odgovarajući podnožak molimo da odaberete prema tipu crijeva.

Artikli

Naziv	DN	Veličina	Col	Radni tlak (bar)	G1	L1 (mm)	S1
PN 06 ALI	6	4	1/4"	345,0	M 14 x 1,5	44,0	19
PN 06 ALI 08	6	4	1/4"	345,0	M 16 x 1,5	45,0	22
PN 08 ALI	8	5	5/16"	345,0	M 16 x 1,5	44,0	22
PN 10 ALI 06	10	6	3/8"	345,0	M 14 x 1,5	48,0	19
PN 10 ALI 08	10	6	3/8"	345,0	M 16 x 1,5	47,5	22
PN 10 ALI	10	6	3/8"	345,0	M 18 x 1,5	47,8	24
PN 13 ALI	12	8	1/2"	345,0	M 22 x 1,5	50,5	27
PN 13 ALI 16	12	8	1/2"	275,0	M 24 x 1,5	50,5	30
PN 16 ALI	16	10	5/8"	275,0	M 24 x 1,5	55,0	30
PN 20 ALI	19	12	3/4"	275,0	M 30 x 1,5	63,0	36
PN 25 ALI	25	16	1"	205,0	M 33 x 1,5	71,6	41
PN 32 ALI	31	20	1.1/4"	170,0	M 36 x 1,5	84,0	46
PN 40 ALI	38	24	1.1/2"	170,0	M 42 x 1,5	90,5	50