

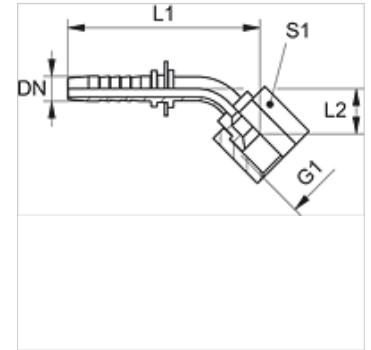
PN ALI 45

Pritisna nazuvica, JIS W45°

HANSA FLEX

Karakteristike

Područje primjene	Pritisna nazuvica za HD 100- do HD 400-, KP-, TE crijeva
Priključak 1	metrički navoji matice
Oblik brtve 1	60° unutarnji konus
Norma	JIS 8363
prikladno za	Komatsu
Materijal	Čelik
Površinska zaštita	galvanski premaz



Napomena

Odgovarajući podnožak molimo da odaberete prema tipu crijeva.

Artikli

Naziv	DN	Veličina	Col	Radni tlak (bar)	G1	L1 (mm)	L2 (mm)	S1
PN 10 ALI 06 45	10	6	3/8"	345,0	M 14 x 1,5	77,0	18,0	19
PN 10 ALI 08 45	10	6	3/8"	345,0	M 16 x 1,5	90,0	25,0	22
PN 10 ALI 45	10	6	3/8"	345,0	M 18 x 1,5	91,0	25,0	22
PN 13 ALI 45	12	8	1/2"	345,0	M 22 x 1,5	99,0	29,0	27
PN 16 ALI 45	16	10	5/8"	275,0	M 24 x 1,5	-	-	-
PN 20 ALI 45	19	12	3/4"	275,0	M 30 x 1,5	124,0	34,0	36
PN 25 ALI 45	25	16	1"	205,0	M 33 x 1,5	146,0	41,0	41