

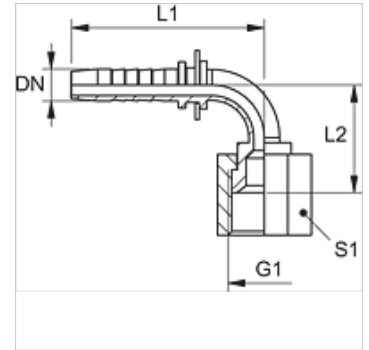
PN ALI 90

Pritisna nazuvica, JIS W90°

HANSA FLEX

Karakteristike

Područje primjene	Pritisna nazuvica za HD 100- do HD 400-, KP-, TE crijeva
Priključak 1	metrički navoji matice
Oblik brtve 1	60° unutarnji konus
Norma	JIS 8363
prikladno za	Komatsu
Materijal	Čelik
Površinska zaštita	galvanski premaz



Napomena

Odgovarajući podnožak molimo da odaberete prema tipu crijeva.

Artikli

Naziv	DN	Veličina	Col	Radni tlak (bar)	G1	L1 (mm)	L2 (mm)	S1
PN 06 ALI 90	6	4	1/4"	345,0	M 14 x 1,5	63,0	31,0	17
PN 08 ALI 90	8	5	5/16"	345,0	M 16 x 1,5	70,0	42,0	19
PN 10 ALI 06 90	10	6	3/8"	345,0	M 14 x 1,5	64,0	31,0	19
PN 10 ALI 08 90	10	6	3/8"	345,0	M 16 x 1,5	72,0	42,0	22
PN 10 ALI 90	10	6	3/8"	345,0	M 18 x 1,5	73,0	42,0	22
PN 10 ALI 13 90	10	6	3/8"	345,0	M 22 x 1,5	89,0	58,0	27
PN 13 ALI 90	12	8	1/2"	345,0	M 22 x 1,5	88,0	58,0	27
PN 16 ALI 90	16	10	5/8"	275,0	M 24 x 1,5	92,0	58,0	30
PN 20 ALI 90	19	12	3/4"	275,0	M 30 x 1,5	109,0	67,0	36
PN 25 ALI 90	25	16	1"	205,0	M 33 x 1,5	118,0	70,0	41