

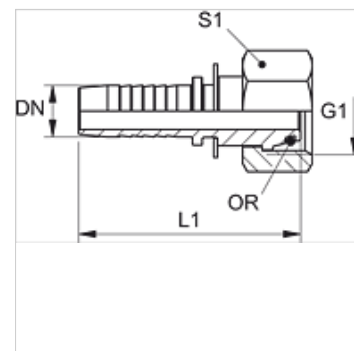
# PN AOS

Pritisna nazuvica, DKOS

**HANSA FLEX**

## Karakteristike

Područje primjene	Pritisna nazuvica za HD 100- do HD 400-, KP-, TE cijeva
Priključak 1	metrički navoji matice
Oblik brtve 1	24° vanjski konus s O prstenom
Kratice	DKOS
Norma	ISO 8434-1
Serijska	teška
Materijal	Čelik
Površinska zaštita	galvanski premaz



## Napomena

Odgovarajući podnožak molimo da odaberete prema tipu cijeva.

## Artikli

Naziv	DN	Veličina	Col	Radni tlak (bar)	G1	za vanjski Ø cijevi (mm)	L1 (mm)	S1	OR
PN 04 AOS	5	3	3/16"	630,0	M 16 x 1,5	8	47,5	19	6,0 x 1,5
PN 04 AOS 06	5	3	3/16"	630,0	M 18 x 1,5	10	48,0	22	7,5 x 1,5
PN 06 AOS 03	6	4	1/4"	630,0	M 14 x 1,5	6	53,0	17	4,0 x 1,5
PN 06 AOS 04	6	4	1/4"	630,0	M 16 x 1,5	8	54,0	19	6,0 x 1,5
PN 06 AOS	6	4	1/4"	630,0	M 18 x 1,5	10	55,0	22	7,5 x 1,5
PN 06 AOS 08	6	4	1/4"	630,0	M 20 x 1,5	12	55,0	24	9,0 x 1,5
PN 08 AOS 06	8	5	5/16"	630,0	M 18 x 1,5	10	54,0	22	7,5 x 1,5
PN 08 AOS	8	5	5/16"	630,0	M 20 x 1,5	12	55,0	24	9,0 x 1,5
PN 10 AOS 06	10	6	3/8"	630,0	M 18 x 1,5	10	54,0	22	7,5 x 1,5
PN 10 AOS 08	10	6	3/8"	630,0	M 20 x 1,5	12	56,5	24	9,0 x 1,5
PN 10 AOS	10	6	3/8"	630,0	M 22 x 1,5	14	60,0	27	10,0 x 2,0
PN 10 AOS 13	10	6	3/8"	420,0	M 24 x 1,5	16	61,0	30	12,0 x 2,0
PN 13 AOS 10	12	8	1/2"	420,0	M 22 x 1,5	14	56,0	27	10,0 x 2,0
PN 13 AOS	12	8	1/2"	420,0	M 24 x 1,5	16	61,0	30	12,0 x 2,0
PN 13 AOS 16	12	8	1/2"	420,0	M 30 x 2	20	66,5	36	16,0 x 2,5
PN 16 AOS 13	16	10	5/8"	420,0	M 24 x 1,5	16	60,5	30	12,0 x 2,0
PN 16 AOS	16	10	5/8"	420,0	M 30 x 2	20	71,0	36	16,0 x 2,5
PN 16 AOS 20	16	10	5/8"	420,0	M 36 x 2	25	74,5	46	20,0 x 2,5
PN 16 AOS 20 SW41	16	10	5/8"	420,0	M 36 x 2	25	74,5	41	20,0 x 2,5
PN 20 AOS 16	19	12	3/4"	420,0	M 30 x 2	20	78,0	36	16,0 x 2,5
PN 20 AOS	19	12	3/4"	420,0	M 36 x 2	25	81,0	46	20,0 x 2,5
PN 20 AOS SW41	19	12	3/4"	420,0	M 36 x 2	25	81,0	41	20,0 x 2,5
PN 20 AOS 25	19	12	3/4"	420,0	M 42 x 2	30	84,0	50	25,0 x 2,5
PN 25 AOS 20	25	16	1"	420,0	M 36 x 2	25	89,0	46	20,0 x 2,5
PN 25 AOS	25	16	1"	420,0	M 42 x 2	30	92,0	50	25,0 x 2,5
PN 25 AOS 32	25	16	1"	345,0	M 52 x 2	38	95,5	60	33,0 x 2,5
PN 32 AOS 25	31	20	1.1/4"	420,0	M 42 x 2	30	92,5	50	25,0 x 2,5
PN 32 AOS	31	20	1.1/4"	345,0	M 52 x 2	38	104,5	60	33,0 x 2,5
PN 40 AOS 32	38	24	1.1/2"	345,0	M 52 x 2	38	107,0	60	33,0 x 2,5

## Varijante proizvoda

PN AOS VA Pritisna nazuvica, DKOS, Oplemenjeni čelik