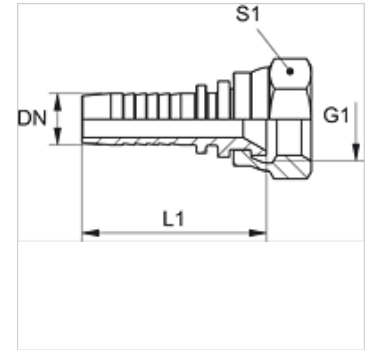


Karakteristike

Područje primjene	Pritisna nazuvica za HD 100- do HD 400-, KP-, TE crijeva
prikladno za	Toyota
Priključak 1	BSP navoji matice
Oblik brtve 1	60° unutarnji konus
Norma	JIS 8363
Materijal	Čelik
Površinska zaštita	galvanski premaz



Napomena

Odgovarajući podnožak molimo da odaberete prema tipu crijeva.

Artikli

Naziv	DN	Veličina	Col	Radni tlak (bar)	G1	L1 (mm)	S1
PN 06 ARI 02	6	4	1/4"	-	G 1/8" - 28	41,5	14
PN 06 ARI	6	4	1/4"	-	G 1/4" - 19	42,5	19
PN 08 ARI 06	8	5	5/16"	-	G 1/4" - 19	42,5	19
PN 08 ARI 10	8	5	5/16"	-	G 3/8" - 19	43,0	22
PN 10 ARI	10	6	3/8"	-	G 3/8" - 19	45,5	22
PN 13 ARI	12	8	1/2"	345,0	G 1/2" -14	48,0	27
PN 20 ARI	19	12	3/4"	275,0	G 3/4" -14	60,0	32
PN 25 ARI	25	16	1"	205,0	G 1" -11	71,0	38
PN 32 ARI	31	20	1.1/4"	170,0	G 1,1/4" - 11	84,0	50
PN 40 ARI	38	24	1.1/2"	105,0	G 1,1/2" - 11	88,5	55